

Owner's Manual
And
Assembly Instructions



The Cascade

Model 1-AP019



Adventure Playsets

Amarillo Texas 79119



Thank you for purchasing an
Adventure Playsets Playcenter.
We hope it will bring you and your children many years of safe
and enjoyable backyard fun.



Table of Contents

Letter to Customer	1
Positioning Your Playcenter	2
Tools Required for Assembly	2
Helpful Installation Hints	3
Suggested Playground Surfacing	4
Operating Instructions	5
Maintenance Instructions	6
Disposal Instructions	6
CPSC Information Sheet	7
Assembly Instructions	8
Frequently Asked Questions	33
Customer Notes	34
Limited Warranty	35
Warranty Claim Procedure	36
Customer Registration Card	37

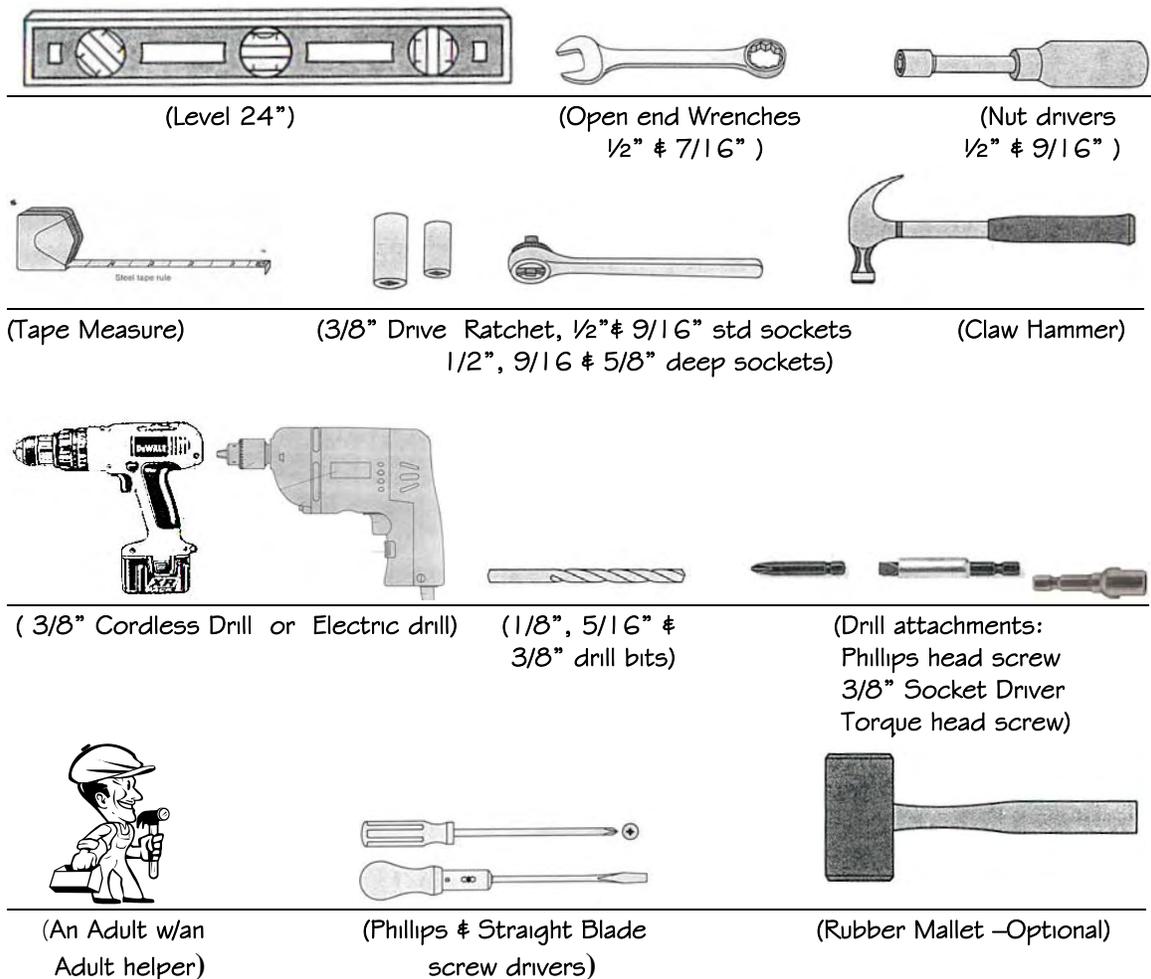


Your owner's manual should be read carefully before starting assembly.

Positioning Your Play center:

1. The Playcenter is designed to be installed on a level surface **by an Adult with an Adult helper**. Try to place in a flat area of your yard to minimize ground preparation.
2. Place the equipment not less than 6 ft from any structure or obstruction such as a fence, garage, house, overhanging branches, laundry lines, or electrical wires.
3. It is a good idea to place your Playcenter in an area that is convenient for adults to watch children at play.
4. The area that you choose should be policed for glass, rocks or anything jagged or sharp that could endanger your children's safety. The surface underneath your play system can cause or prevent injuries. We have additional suggestions in the Suggested Playground Surfacing Section.
5. Do not build your playset on top of surfacing material.

Tools Required for Installation:



Helpful Installation Hints:

1. Depending on your experience, assembly of this Play set should take approximately 6 to 12 hours after inventory of parts. Therefore, we recommend you set aside a full day for assembly.
2. Identify all of the parts for your Playcenter. Empty each box and lay out boards so you can see each part. Your instruction book will have detailed drawings that will make it easy for you to recognize individual parts. Keep all hardware and metal parts separate from wooden pieces.
3. After everything is laid out, check carefully to ensure all parts are present. Make sure there are no broken boards.
4. Find an area to sort your hardware. It is best to open the hardware on a solid surface so that you do not lose any pieces in the grass. This will save time and familiarize you with all the different pieces in the hardware bag.
5. Important note: Wood has some natural defects such as knots, surface cracks, etc... We reject parts that are structurally defective. We use a high quality lumber in our structures; however, you should inspect each part for splinters or rough spots and sand them smooth to prevent injury.
6. After steps 1 thru 4 have been completed, read all the way through the instructions completely. Reading instructions after you have studied the parts will help you understand more clearly the installation process, and help to eliminate unnecessary mistakes.
7. Pay close attention to the diameter and length of each bolt and screw. There will be different sizes in the same bag, so they must be sorted correctly.
8. Swing hangers should be buried past the threads, so that the loop is against the swing beam. Adventure Playsets is not responsible for incorrect installations of swing hangers. Failure to properly install swing hangers may cause severe injury.
9. Never tighten hardware completely at first. It helps to have some adjustment for bolt alignment while you are attaching parts together. After everything is square, tighten each joint.
10. After the main unit is assembled it is critical that the floor is level and square. If the main frame is not level, the walls and floor will be out of square.
11. After you complete installation, make sure every bolt, screw, and nut is tight, and every board is secure. Wood will expand and contract with the seasons. Check all bolt connections and swing hangers every two weeks.
12. Place the set on level ground, not less than 6ft from any structure or obstruction such as a fence, garage, house, overhanging branches, laundry lines, or electrical wires.

READ! VERY IMPORTANT!

If you are missing parts or have questions regarding the installation of our quality product PLEASE call us directly at the factory (1-800-856-4445). Our trained staff will be happy to assist you.

Customer service hours:
Monday thru Friday 9am to 5pm
Saturday 9am to 2pm
Central Standard Time.

E-mail: custservice@adventureplaysets.com

Suggested Playground Surfacing

- ❑ Playground equipment should never be placed on hard surfaces such as concrete or asphalt.
- ❑ Shredded bark mulch, wood chips, fine sand and fine gravel, are added as shock absorbing materials after assembly. If used properly these materials can absorb some of the impact of a child's fall.
- ❑ All surface material should extend a minimum of 6 feet in all directions around the play area.

The following chart explains the fall height in feet from which a life threatening head injury would not be expected

Critical Heights (in feet) of Tested Materials

Material	Uncompressed Depth			Compressed Depth to 9"
	6"	9"	12"	
Wood Chips	7'	10'	11'	10'
Double-Shredded bark mulch	6'	10'	11'	7'
Engineered Wood Fibers	6'	7'	> 12'	6'
Fine Sand	5'	5'	9'	5'
Coarse Sand	5'	5'	6'	4'
Fine Gravel	5'	7'	10'	6'
Medium Gravel	5'	5'	6'	5'
Shredded Tires*	10'-12'	N/A	N/A	N/A

*This data is from tests conducted by independent testing laboratories on a 6-inch depth of uncompressed shredded tire samples produced by four manufacturers. The tests reported critical heights, which varied from 10 feet to greater than 12 feet. It is recommended that persons seeking to install shredded tires as a protective surface request test data from the supplier showing the critical height of the material when it was tested in accordance with ASTM F1292.

This information is intended to assist you in comparing the relative shock absorbing properties of various materials. Each material is only effective when it is properly maintained at the proper depths determined necessary for your equipment.

Operating Instructions:

NOTE: Your children's safety is our #1 concern. Observing the following statements and warnings reduces the likelihood of serious or fatal injury. Please review these safety rules regularly with your children.

1. This Playcenter is designed for the use of 3 occupants who have a combined weight not exceeding 280 pounds.
2. On-site adult supervision is **required**.
3. Instruct children **not** to walk close to, in front of, behind, or between moving swings or other moving playground equipment.
4. Instruct children to sit in and **never** stand on swings
5. Instruct children **not** to twist the chains and ropes and not to loop them over the top support bar, since this may reduce the strength of the chain or rope.
6. Instruct children **not** to jump from swings or other playground equipment in motion.
7. Instruct children to **not push** empty seats. The seat may hit them and cause serious injury.
8. Instruct and teach children to sit in the center of the swings with their full weight on the seats.
9. Instruct children **not** to use the equipment in a manner other than intended.
10. Instruct children to **always** go down slides feet first. Never slide headfirst.
11. Instruct children to **look** before they slide to make sure no one is at the bottom.
12. Instruct children to **never** run up a slide, as this increases their chances of falling.
13. The parents should have the children **dress appropriately** with well-fitting shoes. Loose clothing such as scarves and ponchos should not be worn. Always take off, tie up or tuck in cords and drawstrings on children's clothing. These things can get caught on playground equipment and strangle a child.
14. Instruct children **not** to climb when the equipment is wet.
15. Instruct children to **never** jump from a fort deck. They should always use the ladder, ramp or slide.
16. Instruct children to **never** crawl or walk across the top of monkey bars.
17. Instruct children to **never** crawl on top of a fort roof.
18. Verify that any suspended climbing ropes, chain, or cable are secured at both ends and that they cannot be looped back on it.
19. Instruct children **not** to attach items to the playground equipment that are not specifically designed for use with the equipment, such as, but not limited to, jump ropes, clothesline, pet leashes, cables and chain as they may cause a strangulation hazard.
20. Instruct children to **never** use Monkey Bar when swings or glider are in use.
21. Instruct children to **never** wrap their legs around swing chain.

Maintenance Instructions:

1. Check all nuts and bolts twice monthly during the usage season and tighten as required. (But not so tight that you crack the wood) We recommend you check the swing beam and hardware every two weeks due to wood expansion and contraction. It is particularly important that this procedure be followed at the beginning of each season.
2. Remove plastic swing seats and take indoors or do not use when the temperature drops below 32 °F.
3. Oil all metallic moving parts monthly during the usage period.
4. Check all coverings for bolts and sharp edges twice monthly during usage season to be certain they are in place. Replace when necessary. It is especially important to do this at the beginning of each new season.
5. Check swing seats, ropes, cables and chains monthly during usage season for evidence of deterioration. Replacement should be made of any swing seat that has developed cracks in the plastic seats or has exposed metal in the edges of the swing seat. If there are already exposed metal inserts on the edge of the seat, immediately remove the seats and chains to prevent serious injury. Ropes, cables and chains should be removed and replaced if excessive wear is found. Contact Adventure Playsets for replacement parts.
6. For rusted areas on metallic members such as monkey bars, hand supports, brackets, etc., sand and repaint, using a non lead-based paint meeting the requirements of Title 16 CRF Part 1303.
7. Inspect wood parts monthly. The grain of the wood sometimes will lift in the dry season causing splinters to appear. Light sanding may be necessary to maintain a safe playing environment. If you are treating your Playcenter with stain regularly, it will help prevent severe checking/splitting and other weather damage.
8. We recommend treating the wood components once or twice a year depending on the type of weather you have and when sanding has been required to maintain a good surface. We treat our wood with a waterborne transparent stain.
9. Creating and maintaining the Playcenter on a level location is very important. As your children play, your Playcenter will slowly dig its way into the soil, and it is very important that it settles evenly. Make sure the play set is level and true once each year or at the beginning of each play season.

Disposal Instructions:

When the Playcenter use is no longer desired, it should be disassembled and disposed of in such a way that no unreasonable hazards will exist at the time the unit is discarded.

APPENDIX A

Information on Playground Surfacing Materials:

The following information is from the *United States Consumer Product Safety Commission's Information Sheet for playground surfacing material*. Also see the following website for additional information: www.cpsc.gov/cpscpub/pubs/323.html.

X3. CONSUMER INFORMATION SHEET FOR PLAYGROUND SURFACING MATERIALS¹¹

X3.1 The U.S. Consumer Product Safety Commission (CPSC) estimates that about 100,000 playground equipment-related injuries resulting from falls to the ground surface are treated annually in U.S. hospital emergency rooms. Injuries involving this hazard pattern tend to be among the most serious of all playground injuries, and have the potential to be fatal, particularly when the injury is to the head. The surface under and around playground equipment can be a major factor in determining the injury-causing potential of a fall. It is self evident that a fall onto a shock-absorbing surface is less likely to cause a serious injury than a fall onto a hard surface. Playground equipment should never be placed on hard surfaces such as concrete or asphalt and while grass may appear to be acceptable it may quickly turn to hard packed earth in areas of high traffic. Shredded bark mulch, wood chips, fine sand or fine gravel are considered to be acceptable shock absorbing surfaces when installed and maintained at a sufficient depth under and around playground equipment.

X3.2 Table X3.1 lists the maximum height from which a child would not be expected to sustain a life-threatening head injury in a fall onto four different loose-fill surfacing materials if they are installed and maintained at depths of 6, 9, and 12 in. However, it should be recognized that all injuries due to falls cannot be prevented no matter what surfacing material is used.

X3.3 It is recommended that a shock absorbing material should extend a minimum of 6 ft in all directions from the perimeter of stationary equipment such as climbers and slides. However, because children may deliberately jump from a moving swing, the shock absorbing material should extend in the front and rear of a swing a minimum distance of 2 times the height of the pivot point measured from a point directly beneath the pivot on the supporting structure.

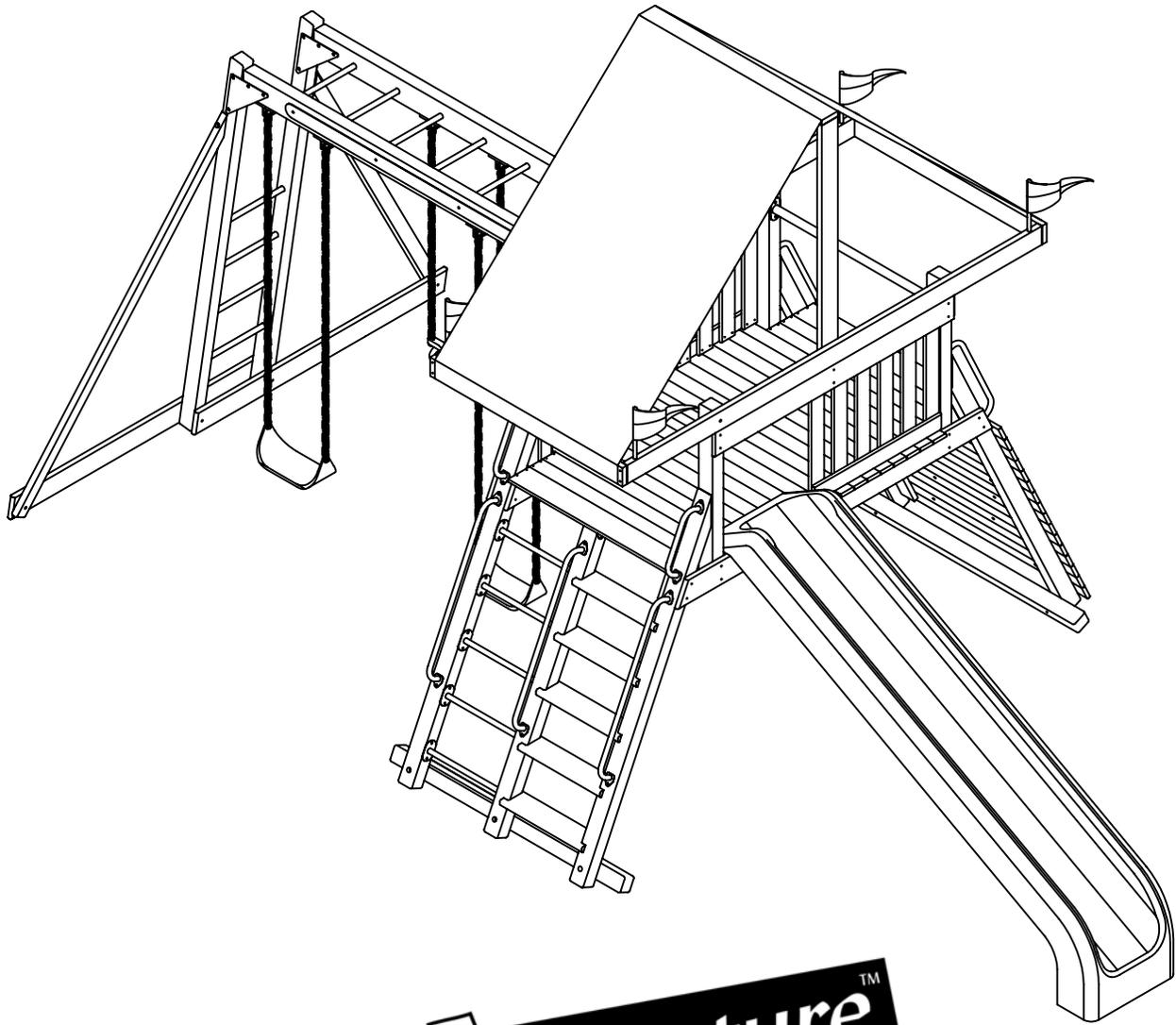
X3.4 This information is intended to assist in comparing the relative shock-absorbing properties of various materials. No particular material is recommended over another. However, each material is only effective when properly maintained. Materials should be checked periodically and replenished to maintain correct depth as determined necessary for your equipment. The choice of a material depends on the type and height of the playground equipment, the availability of the material in your area, and its cost.

¹¹This information has been extracted from the CPSC publications "Playground Surfacing — Technical Information Guide" and "Handbook for Public Playground Safety." Copies of these reports can be obtained by sending a postcard to: Office of Public Affairs, U.S. Consumer Product Safety Commission, Washington, D.C., 20207 or call the toll-free hotline: 1-800-638-2772.

The American Society for Testing and Materials takes no position respecting the validity of any patent right asserted in connection with any item mentioned in this standard. Users of this standard are expressly advised that determination of the validity of any such patent rights, and the risk of infringement of such rights, are entirely their own responsibility.

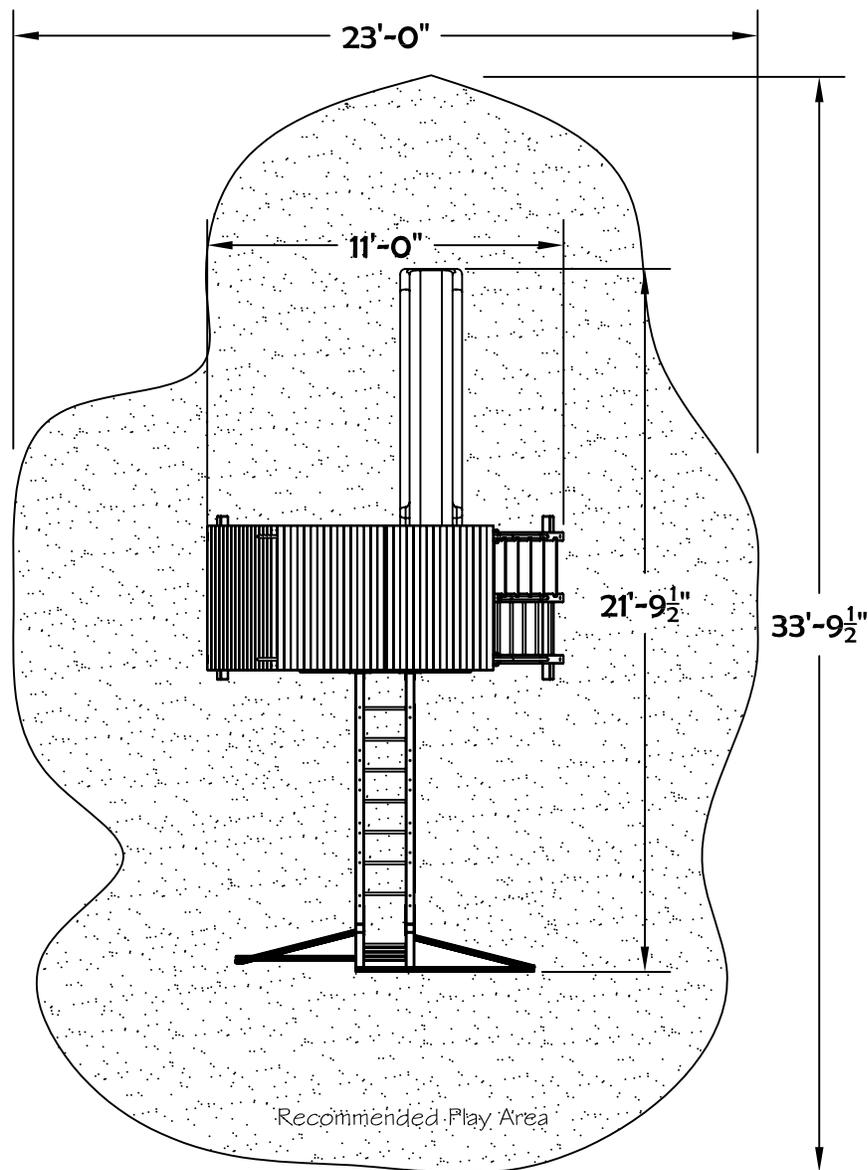
The standard is subject to revision at any time by the responsible technical committee and must be reviewed every five years and if not revised, either approved or withdrawn. Your comments are invited either for revision of this standard or for additional standards and should be addressed to ASTM Headquarters. Your comments will receive careful consideration at a meeting of the responsible technical committee, which you may attend. If you feel that your comments have not received a fair hearing you should make your views known to the ASTM Committee on Standards, 100 Barr Harbor Drive, West Conshohocken, PA 19428.

The Cascade Assembly Instructions



Basic Setup Dimensions

Assemble the Playset on level ground with a play area not less than 6ft. from any structure or obstruction such as a fence, garage, house, overhanging branches, laundry lines, or electrical lines.



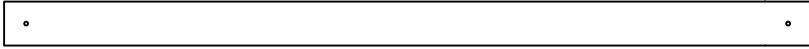
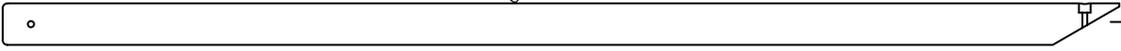
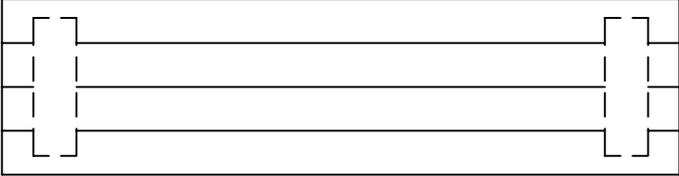
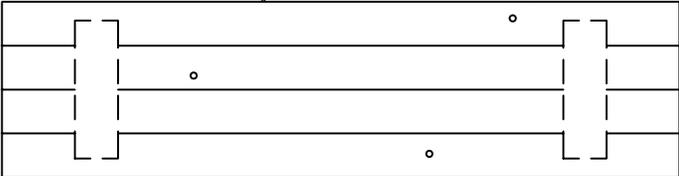
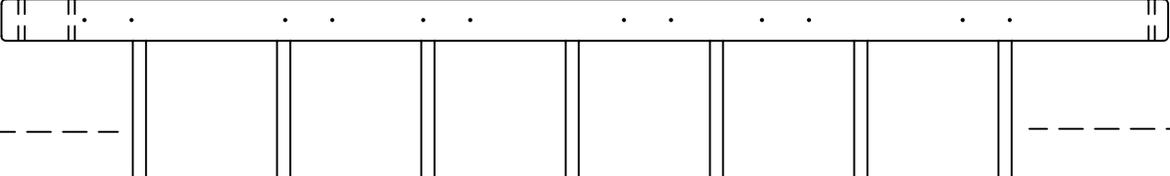
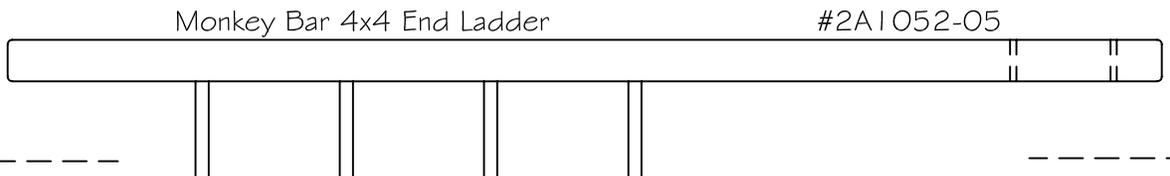
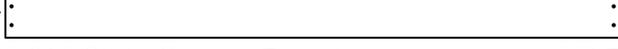
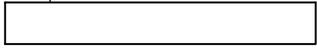
Playset should never be placed on hard surfaces such as concrete or asphalt. It is recommended you cover the play area with a shock absorbing material such as bark mulch, or wood chips. (see page 4) Do not build your play set on top of surfacing material. Finish assembly then lay down the material.

Parts Identification Wood Components

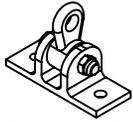
Notice: If you are missing any parts, have damaged parts, or have any questions, please call Adventure Playsets customer service at 1-800-856-4445. Our trained staff will answer your questions and/or expedite any parts that you may need. DO NOT contact the retailer that you purchased this product from. The retailer will not have replacement parts.

ID LETTER	DESCRIPTION	PART NUMBER	QUANTITY
A	5/4x6x83 3/4 Floor Joist	#4L1481-05	4
B	4x4x81 Angled Fort Leg	#4L1482-05	3
C	4x4x81 Angled Fort Leg Ladder Rail (right)	#4L941-05	1
D	4x4x63 3/4 Ladder Rail (center)	#4L1483-05	1
E	2x6x21 3/4 Ladder Rung	#4L1484-05	5
F	4x4x39 Fort Upright	#4L1566-05	4
G	1x4x42 Single Floor Board	#4L1486-05	4
H	1x6x42 End Floor Board	#4L1487-05	3
I	5/4x4x75 3/8 Center Floor Support	#4L1506-05	1
J	2x4x93 Tarp Cross Brace	#4L1567-05	2
K	5/4x4x51 Tarp End Cap	#4L1568-05	2
L	1x6x64 Wall Rail	#4L1488-05	1
M	4x6x64 MB Cross Brace	#4L1489-05	1
N	4x4x61 Base Support (3 holes)	#4L1490-05	2
O	5/4x4x72 Long Tarp Upright	#4L1452-05	2
P	2x4x15 3/8 Monkey Bar Base Board	#4L1556-05	1
Q	1x4x33 3/4 Wall Rail	#4L1575-05	1

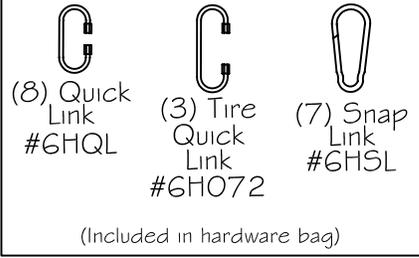
Parts Identification Wood Components

ID LETTER	DESCRIPTION	PART NUMBER	QUANTITY
R	1x4x64 Wall Rail 	#4L1574-05	1
S	1x4x27 1/4 Wall Slat 	#4L1424-05	15
T	5/4x6x66 1/2 MB Ground Beam 	#4L1429-05	2
U	2x4x87 1/2 End Ladder Angle Brace 	#4L1430-05	2
V	Floor Panel Assembly - 1x4x54 (4 board) 	#2A1047-05	4
W	Rock Wall Panel Assembly - 1x4x54 (4 board) 	#2A1049-05	4
X	5/4x4x56 Rock Wall Brace 	#4L1111	1
Y	Monkey Bar 4x6 Top Ladder 	#2A1051-05	1
Z	Monkey Bar 4x4 End Ladder 	#2A1052-05	1
AB	5/4x4x49 Tarp Support 	#4L1570-05	1
AC	2x4x24 3/4 Slide Spacer Board 	#4L586-A	1
AD	4x4x21 Tire Swing Mounting Block 	#4L1516-05	1

Parts Identification Accessories



(6) Ductile Swing Hanger
#GHASH

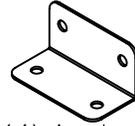


(8) Quick Link
#6HQL

(3) Tire Quick Link
#6HO72

(7) Snap Link
#6HSL

(Included in hardware bag)



(4) Angled Brace (Green)
#4M1027-05



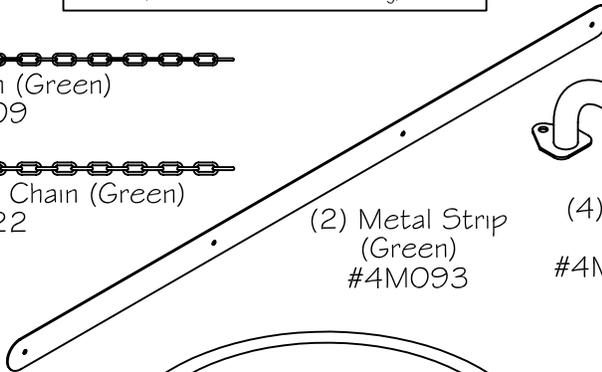
(11) L-Bracket (Green)
#4M032



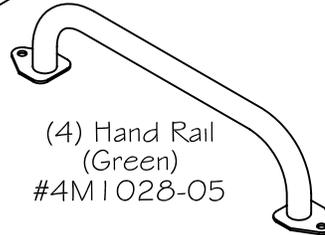
(2) 30" Chain (Green)
#6M009



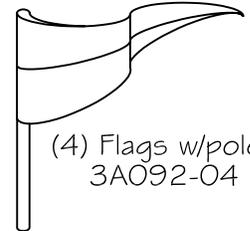
(3) 30" Tire Swing Chain (Green)
#4M022



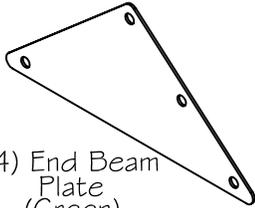
(2) Metal Strip (Green)
#4M093



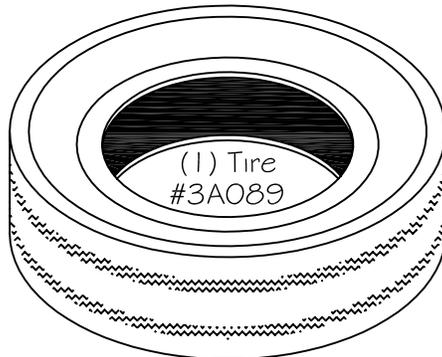
(4) Hand Rail (Green)
#4M1028-05



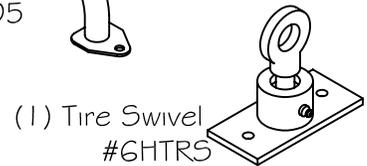
(4) Flags w/poles
3A092-04



(4) End Beam Plate (Green)
#4M089



(1) Tire
#3A089

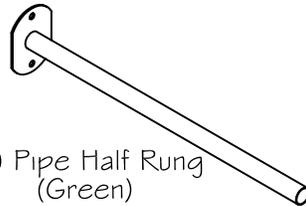


(1) Tire Swivel
#6HTRS

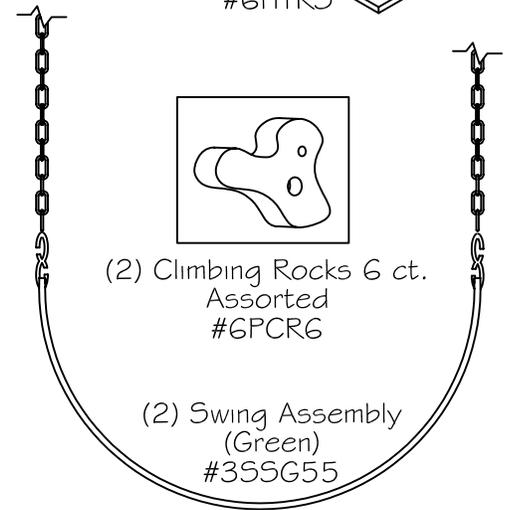
(2) 42" Rail Bar (Green)
#4M1029-05



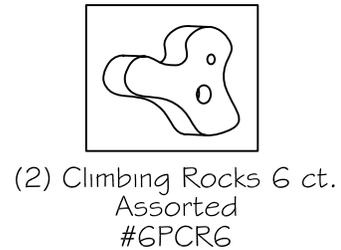
(3) Tire Eye Bolts
#6HO52



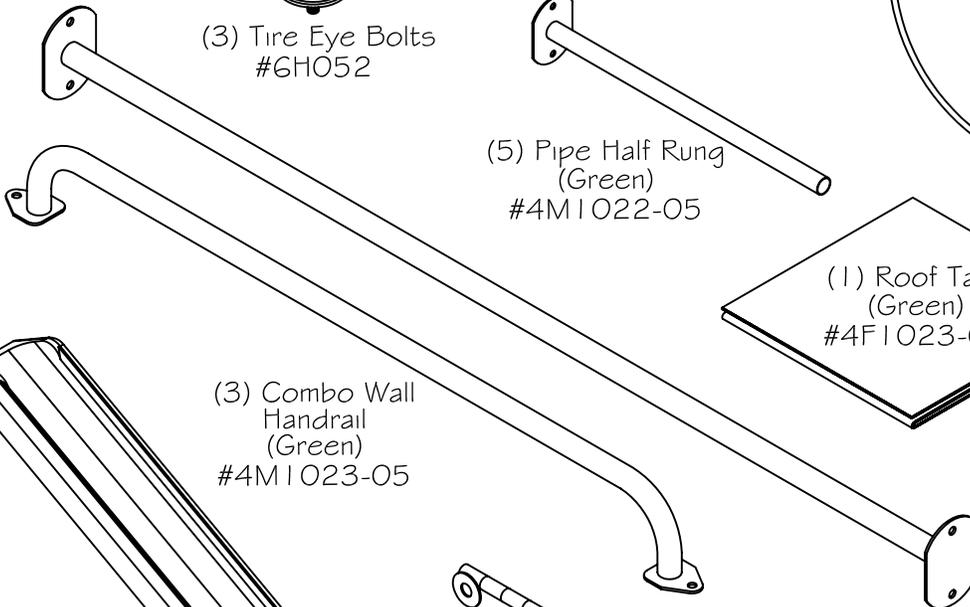
(5) Pipe Half Rung (Green)
#4M1022-05



(2) Swing Assembly (Green)
#355G55



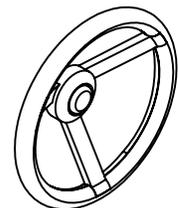
(2) Climbing Rocks 6 ct. Assorted
#6PCR6



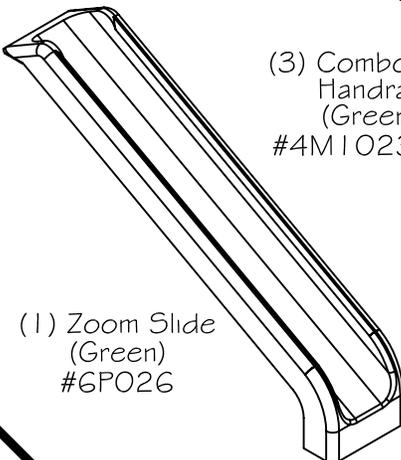
(3) Combo Wall Handrail (Green)
#4M1023-05



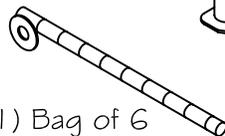
(1) Roof Tarp (Green)
#4F1023-05



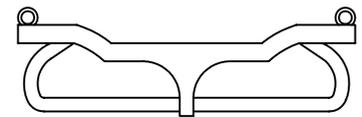
(1) Steering Wheel Assembly (Yellow)
#6PSTWY



(1) Zoom Slide (Green)
#6P026



(1) Bag of 6 1/2" Stakes
#6M012

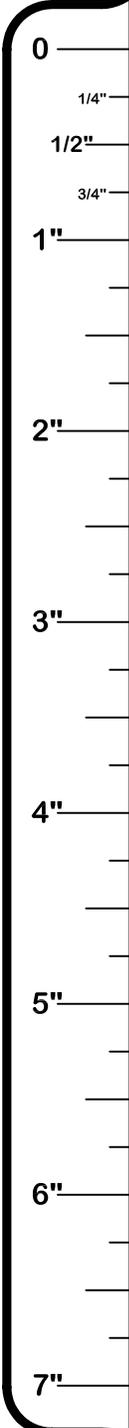
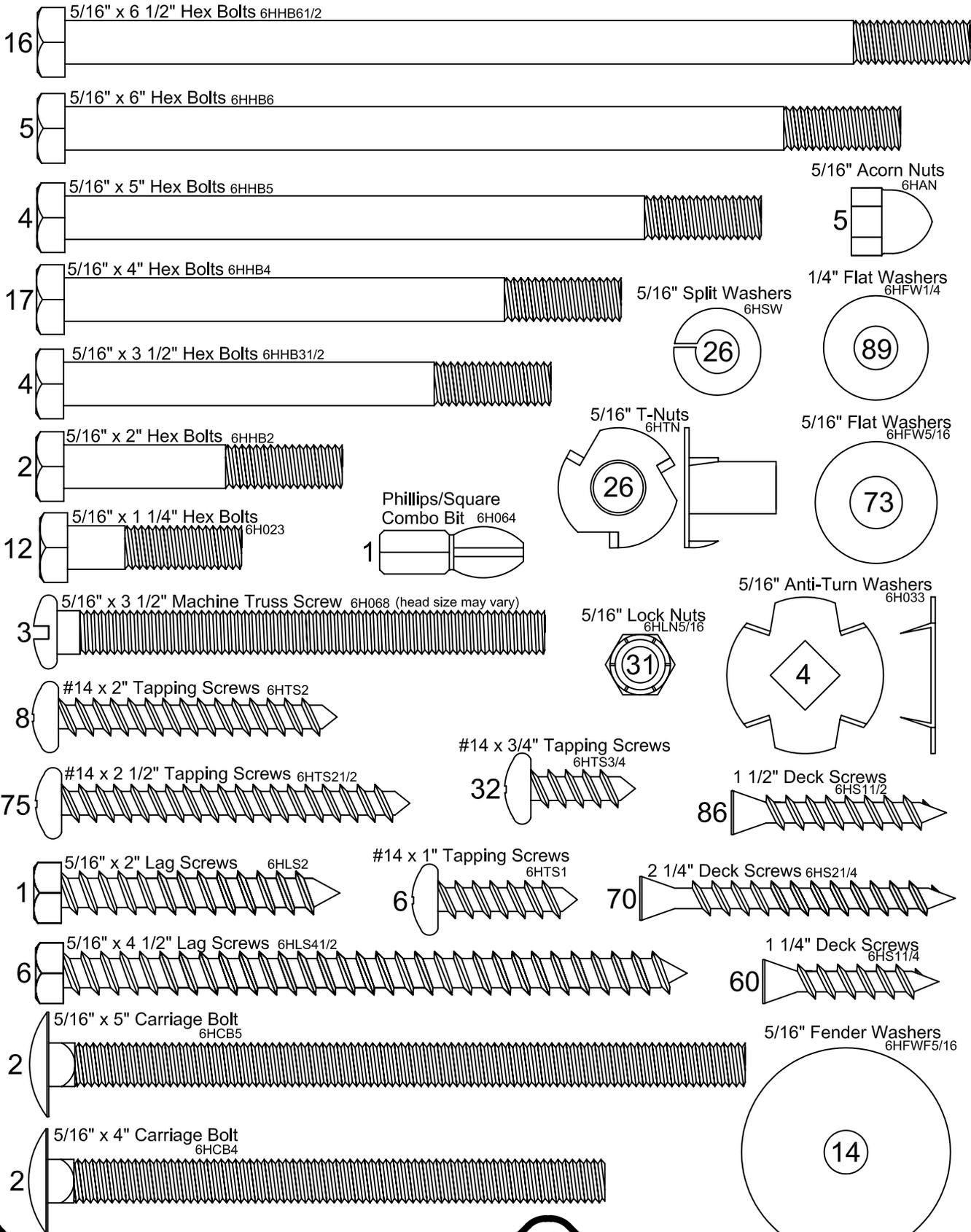


(1) Trapeze Bar (Green)
#6P053

Parts Identification

Hardware Bags
3H1084-05 &
3H1087-05

This hardware ID is a combination of Hardware Bag 3H1084-05 and Hardware Bag 3H1087-05, both found in box 1.



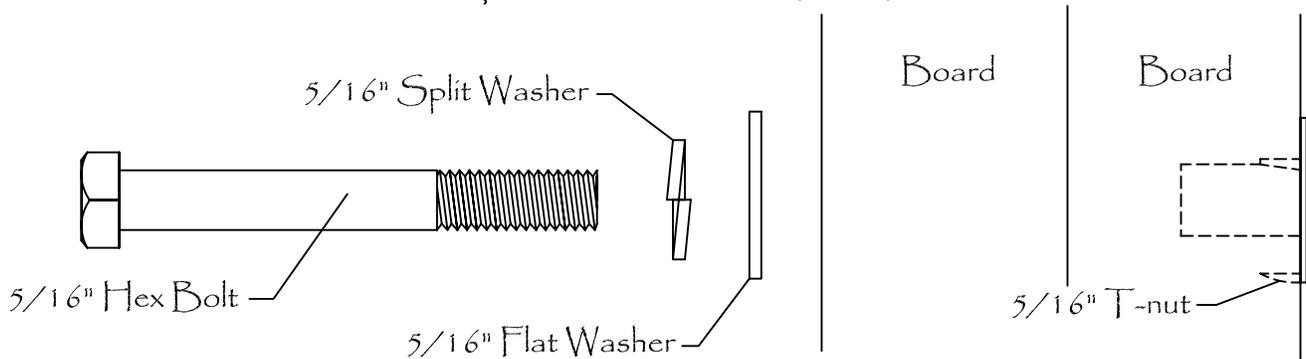
Hardware Information

Notice: If you are missing any pieces of hardware or have any questions, please call Adventure Playsets customer service at 1-800-856-4445. Our trained staff will answer your questions and/or expedite any hardware that you may need. **DO NOT** contact the retailer that you purchased this product from. The retailer will not have replacement hardware.

Bolting Instructions

Throughout these instructions, when using a hex bolt with a t-nut; a split washer and flat washer must be used between the head of the hex bolt & the boards being bolted.

Using these washers will keep the hex bolts from loosening from the t-nut and keep the bolt from going into the board.



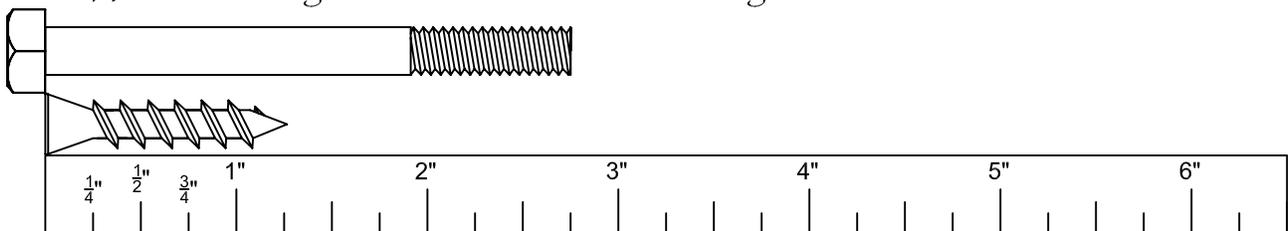
Measuring Hardware

It is very important to get the correct hardware in the correct place when assembling the playset.

You can use the ruler below to measure your hardware or you can compare the hardware to the full-scale hardware identification page. (page 13)

NOTES:

- 1) Do not include the bolt head when measuring length of a bolt.
- 2) Include full length of deck screw when measuring.



PHASE 1

A-FRAME ASSEMBLY

Step 1: Gather Items:

- (2) A-5/4x6x83 3/4" Floor Joist
- (3) B-4x4x81" Angled Fort Leg
- (1) C-4x4x81" Angled Fort Leg Ladder Rail (right)
- (4) F-4x4x39" Fort Upright

Step 2: Build Assemblies 1 and 2:

Build Assembly 1 - Fasten item A through pilot holes in items B, C, and F using (8) 2 1/2" tapping screws.
Build Assembly 2 - Fasten item A through pilot holes in items B and F using (8) 2 1/2" tapping screws.
Lightly hammer (8) t-nuts into items F as shown.

Step 3: Flip Assemblies:

Take assemblies 1 and 2 flip them 180° so that what is shown is now facing down.

General information to use throughout instructions.



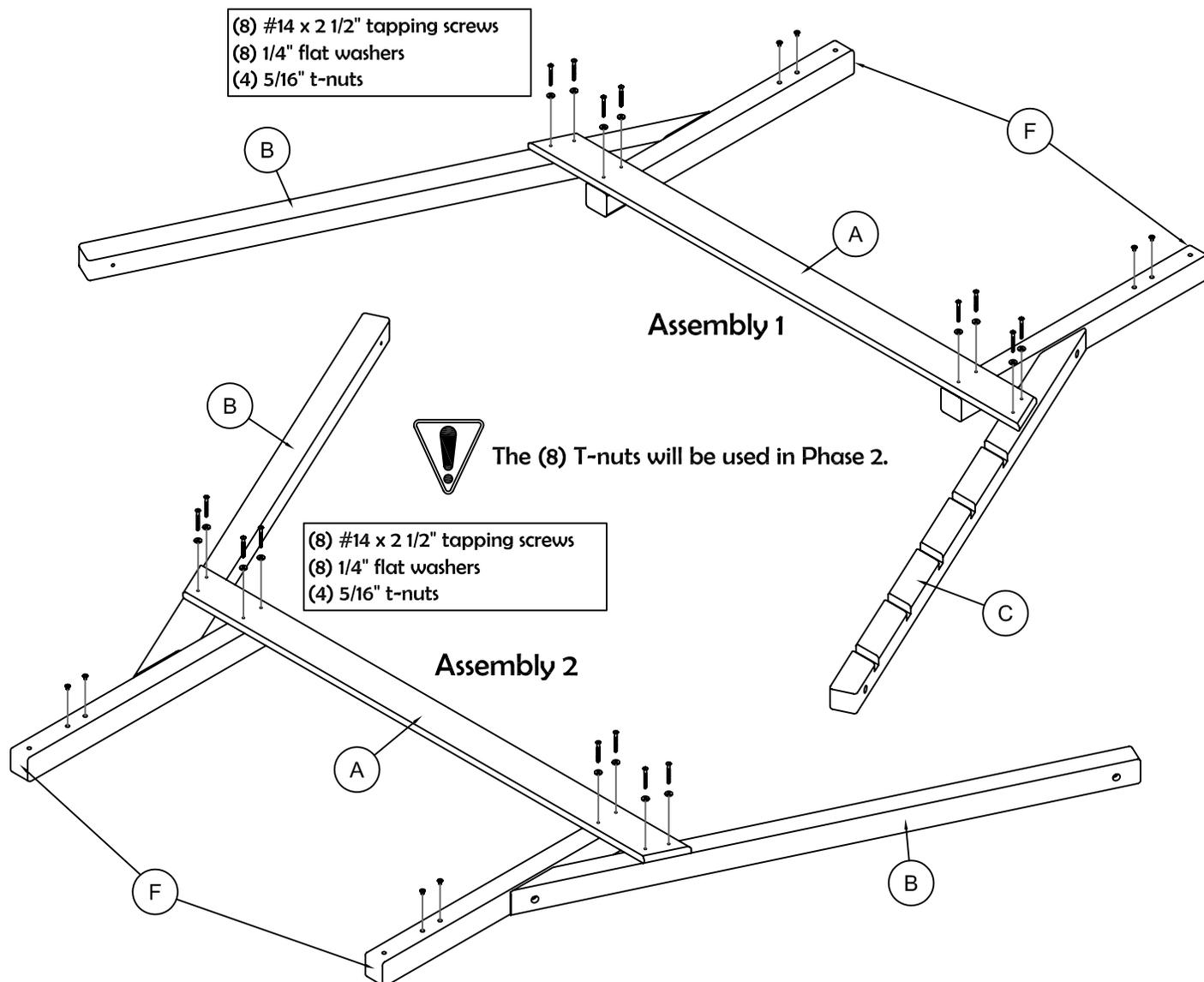
Be sure and lightly hammer t-nuts where instructed.



Be sure and not over tighten hex bolts. Bolts should not protrude more than 2 threads on opposite side.



It is highly recommended that you have at least one adult helper assisting you during installation.



PHASE 2

A-FRAME ASSEMBLY

Step 1: Gather Items:

- (2) A-5/4x6x083 3/4 Floor Joist
- (1) L-1x6x064 Wall Rail
- (1) M-4x6x064 MB Cross Brace

Step 2: Installation of A's:

Fasten items A through pilot holes in items B, C, and F using a total of (16) #14 x 2 1/2" tapping screws.

Step 3: Completion of Assembly 1:

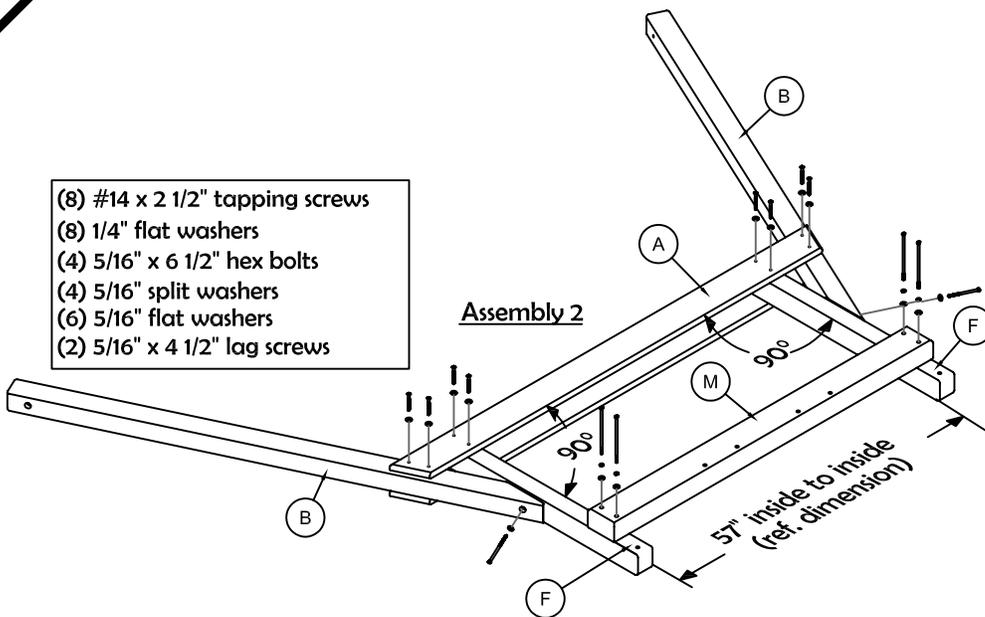
****NOTE**** You must achieve the 57" inside to inside ref. dimension on Assembly 1 prior to this step.

Fasten item L to items F using (4) 5/16" x 4" hex bolts. Once you have double checked 57" ref. dimension, fasten items B and C to F's using 5/16" x 4 1/2" lag screws.

Step 4: Completion of Assembly 2:

****NOTE**** You must achieve the 57" inside to inside ref. dimension on Assembly 2 prior to this step.

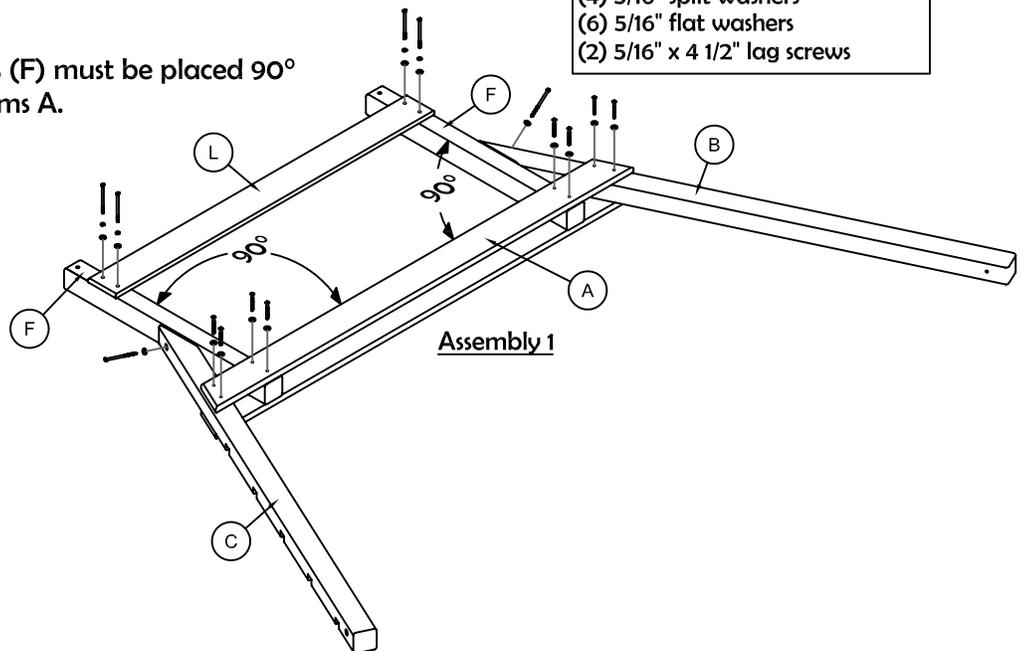
Fasten item M to items F using (4) 5/16" x 6 1/2" hex bolts. Once you have double checked 57" ref. dimension, fasten items B to F's using 5/16" x 4 1/2" lag screws.



- (8) #14 x 2 1/2" tapping screws
- (8) 1/4" flat washers
- (4) 5/16" x 4" hex bolts
- (4) 5/16" split washers
- (6) 5/16" flat washers
- (2) 5/16" x 4 1/2" lag screws



Uprights (F) must be placed 90° from items A.



PHASE 3

FRAME ASSEMBLY

Step 1: Gather Items:

- (2) 42" Rail Bars
- (2) N-4x4x06 I Base Support (3 holes)

Step 2: Installation of Base Supports:

Stand up Assemblies 1 and 2 and position to achieve the 49" ref. dimension. Once that has been done fasten item N to B and C using 5/16" x 6" hex bolts.

Step 3: Installation of Wall Rails:

****NOTE**** Assemblies must be level and measure 49" outside to outside at the top of items F. Place Rail Bars 6" down (from top of 'F' to top hole on rail) on items F and centered on items 'F' (as shown in fig. 1 & 2) and attach with 2 1/2" tapping screws.

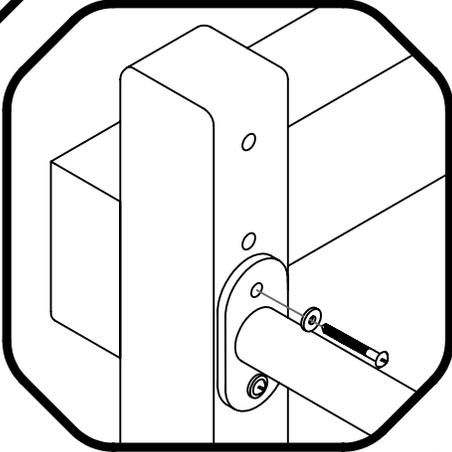


Fig. 1

- (4) #14 x 2 1/2" tapping screws
- (4) 1/4" flat washers
- (2) 5/16" x 6" hex bolts
- (2) 5/16" split washers
- (2) 5/16" flat washers
- (2) 5/16" t-nuts

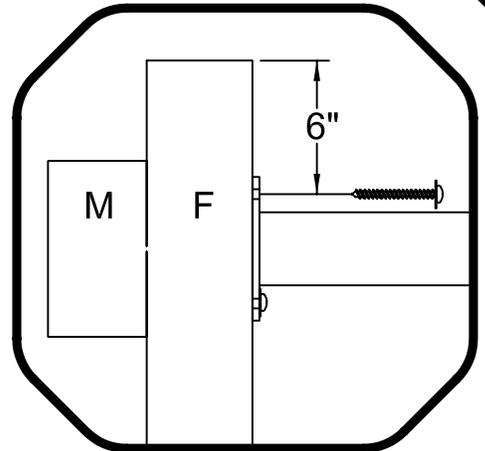
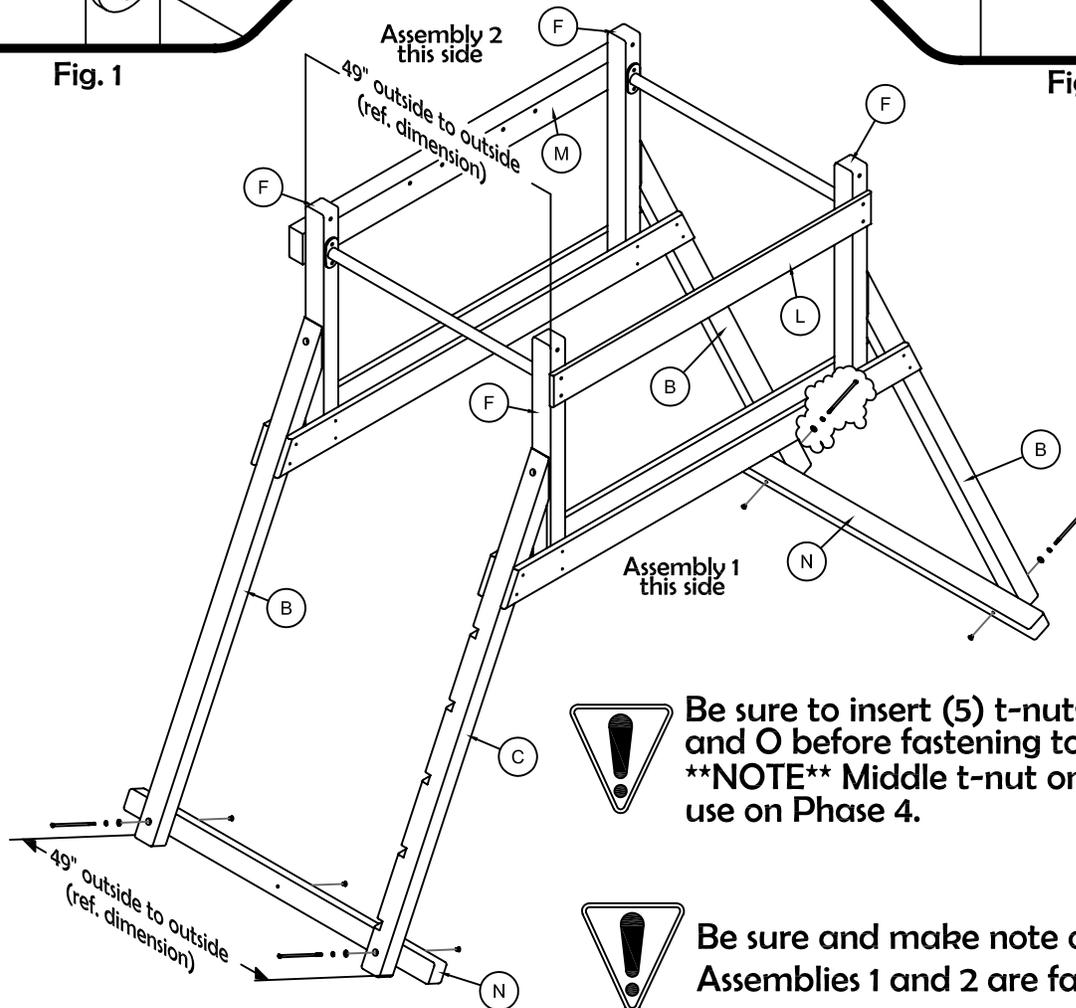


Fig. 2



Be sure to insert (5) t-nuts into items N and O before fastening to items B and C.
****NOTE** Middle t-nut on item N is for use on Phase 4.**

Be sure and make note of the direction Assemblies 1 and 2 are facing.

PHASE 4

FORT UPRIGHT INSTALLATION

Step 1: Gather Items:

- (1) D-4x4x063 3/4 Ladder Rail Center
- (5) E-2x6x021 3/4 Ladder Rung
- (5) #4M1022-05 Pipe Half Rung

Step 2: Installation of Pipe Half Rungs:

Before fastening item D to item N take (5) #4M1022-05 and insert them in item D (see fig. 3). Use the 19 1/4" (ref. dimension) to get the depth.

****NOTE**** You may have to lightly tap #4M1022-05 with a hammer to insert into D.

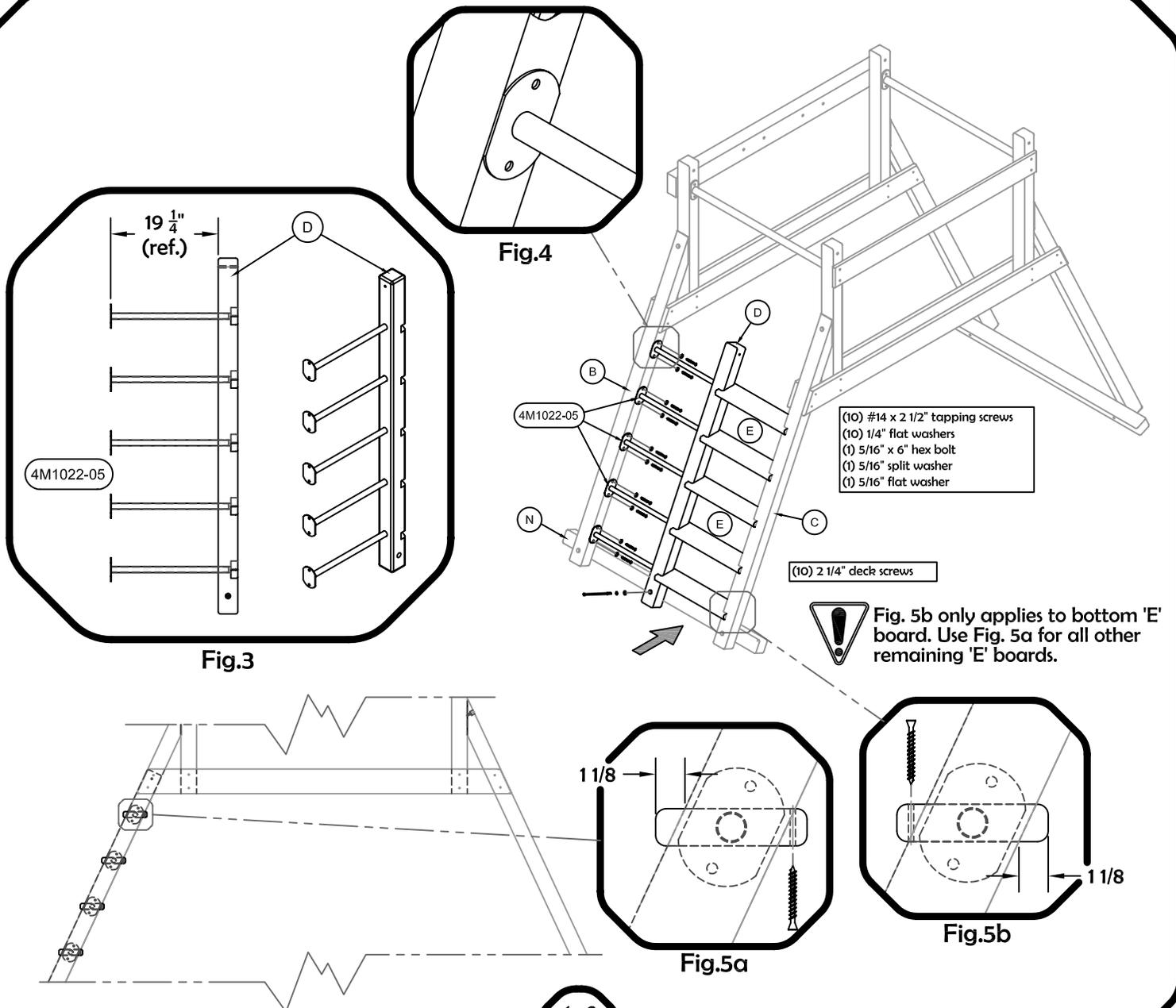
Step 3: Installation of D:

Fasten D to item N using a 5/16" x 6" hex bolt. Next take items #4M1022-05 and fasten to B, making sure that the pipe rung is level and that the straight edges on the mounting flanges are parallel with the sides of B and C, using #14 x 2 1/2" tapping screws (see fig. 4).

Step 4: Installation of E:

Insert items E into dado cuts of items C and D and lightly tap with a hammer until you have 1 1/8" dimension as shown in fig. 5. Fasten all item E's to C and D using (2) 2 1/4" deck screws (also shown in fig. 5a)

Note: the bottom 'E' board will be attach with screws going in from the top (fig 5b) and the rest will attach with the screw going in from the bottom (fig 5a)



PHASE 5

FLOOR PANEL INSTALLATION

Step 1: Gather Items:

- (4) V-Floor Panel Assembly 1x4x54 (4 board)
- (8) #4M032 L-bracket (Green)

Step 2: Installation of Floor Panels:

Take (4) item V's and drop them centered in between uprights F with the cleats centered between A's (see fig. 6).

Step 3: Installation of L-brackets:

Take (8) #4M032's and fasten them to items V and the inside set of A's using #14 x 3/4" tapping screws as shown in Bottom View. Note: you may need to loosen the inside set 'A' to lay the panels in then re-tighten.

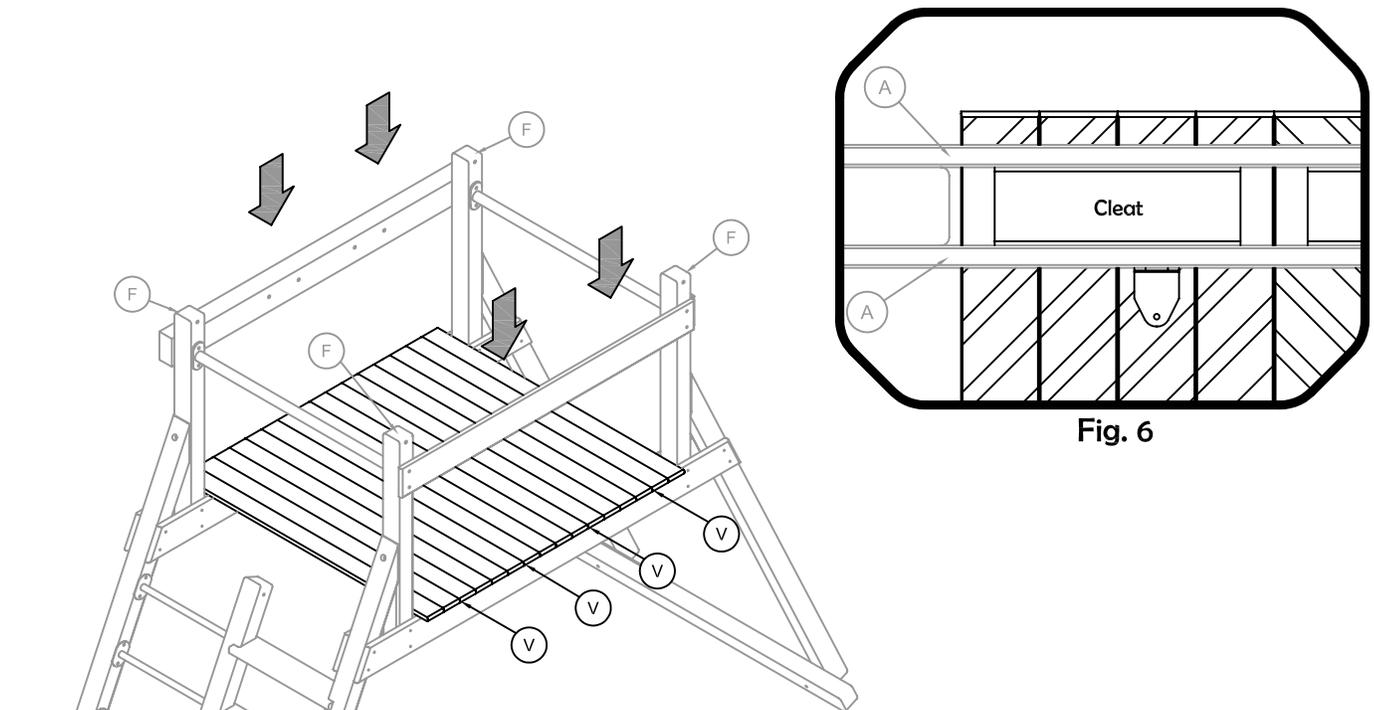
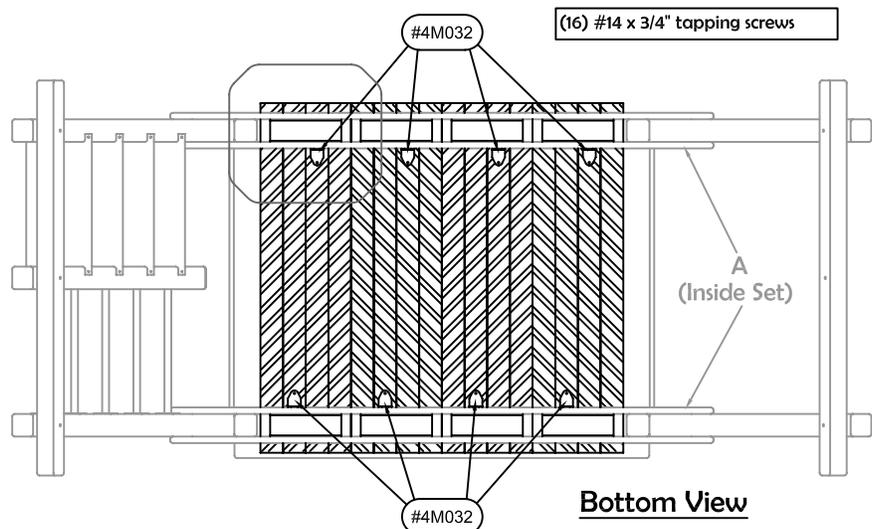


Fig. 6



You may need to loosen the inside set 'A' boards to lay panels in. Re-tighten boards 'A' after panels are in.



Bottom View

PHASE 6

FLOOR COMPLETION

Step 1: Gather Items:

- (4) G- 1x4x042 Single Floor Board
- (2) H- 1x6x042 End Floor Board
- (1) I- 5/4x4x075 3/8 Center Floor Support
- (2) #4M032 L-bracket (Green)
- (1) Q- 1x4x33 3/4" Wall Rail
- (1) R- 1x4x64" Wall Rail

Step 2: Installation of G's and H's:

Place (2) G's and (1) H on top of the inside set of A's, centered, and butted up to item V. Fasten using 2 1/4" deck screws. Do the same for the opposite side.

****NOTE**** See fig. 7 for board orientation on item H.

Step 3: Installation of Center Floor Support:

Place item I centered underneath floor panels and fasten with 1 1/2" deck screws.

Step 4: Stabilizing Center Ladder rail:

Attach (2) #4M032's to item D using a 5/16" x 4" hex bolt, then fasten 4M032's to bottom of H using 3/4" tapping screws (see fig. 8).

Step 5: Attaching Wall Rails:

Attach Wall Rails 'R' & 'Q' to sides shown flush with outsides of uprights and top of floor with 2 1/2" tapping screws and 1/4" flat washers as shown.

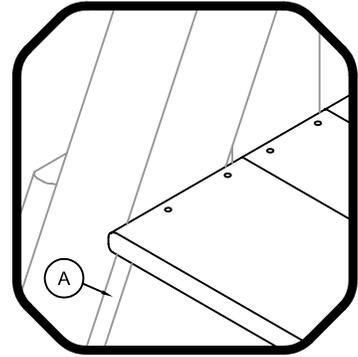
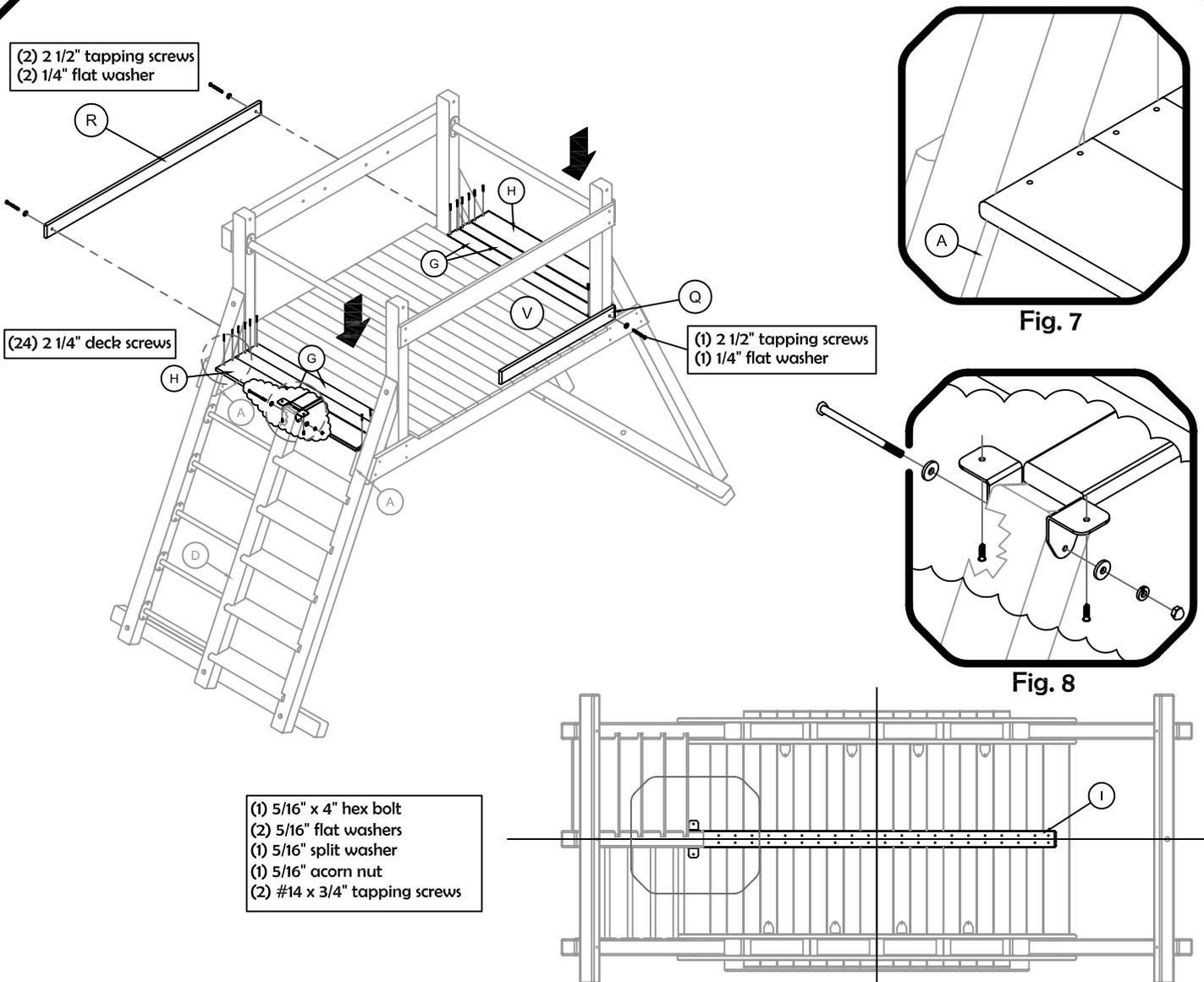


Fig. 7

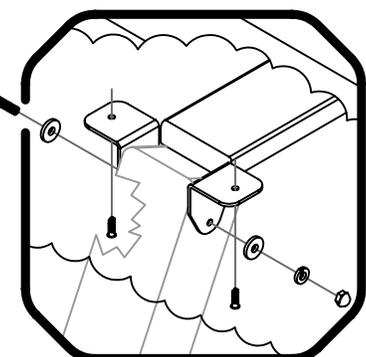
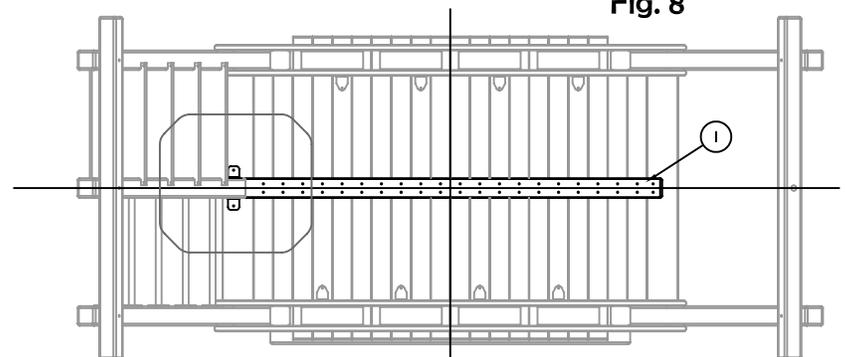


Fig. 8



Bottom View



Item 'I' is easier to attach if a helper is applying weight on top of floor to hold in place.

PHASE 7

WALL ASSEMBLY

Step 1: Installation of Wall Slats (Monkey Bar Wall):

(15) S-1x4x027 1/4 Wall Slat

Step 2: Installation of Wall Slats (Monkey Bar Wall):

Fasten (2) items S to item M & R and butted up to uprights F (one on each side) using 1 1/4" deck screws. Next, install the remaining (8) slats with 1 7/8" spacing using 1 1/4" deck screws.

****NOTE**** Slats are to rest on fort floor during installation.

Step 3: Installation of Wall Slats (Slide Wall):

Fasten (1) item S to Boards 'L' & 'Q' up against upright F on the left side (left side when inside fort) using 1 1/4" deck screws. Next, install the remaining (4) slats with 1 7/8" spacing using 1 1/4" screws. Item S closest to the Slide Opening should be flush with item Q.

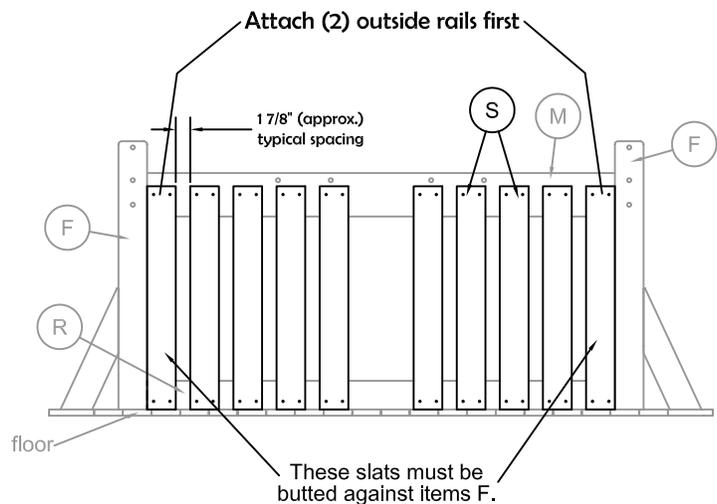
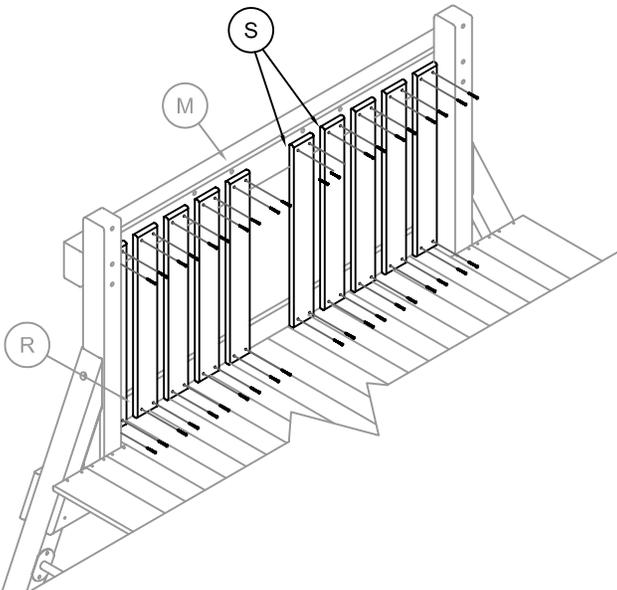
Step 2:

Monkey Bar Wall Detail



All slats are to rest on fort floor during the installation.

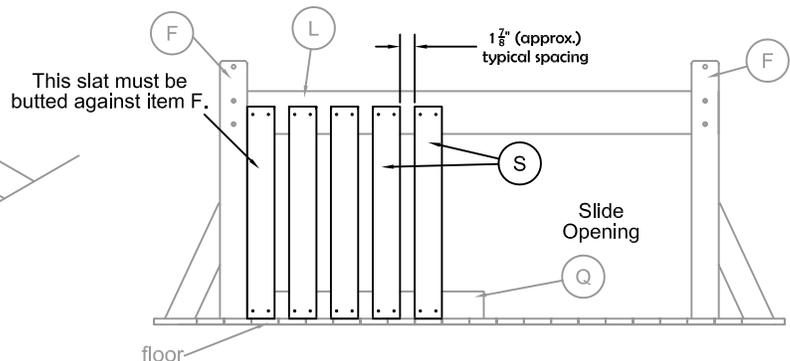
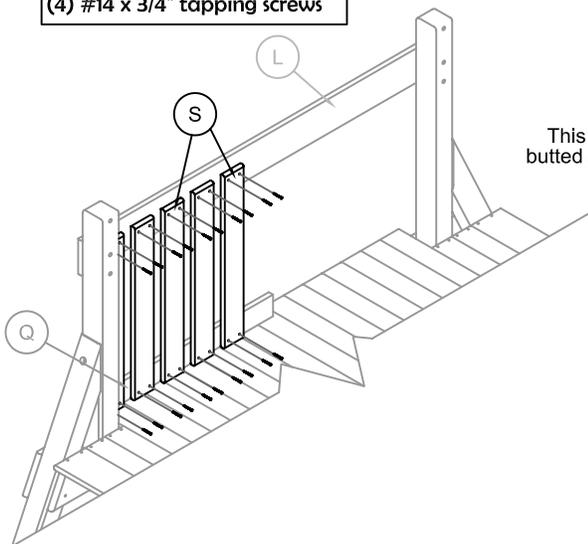
(40) 1 1/4" deck screws
(4) #14 x 3/4" tapping screws



Step 3 & 4:

Slide Wall Detail

(24) 1 1/4" deck screws
(4) #14 x 3/4" tapping screws



PHASE 8

TARP FRAME ASSEMBLY

Step 1: Gather Items:

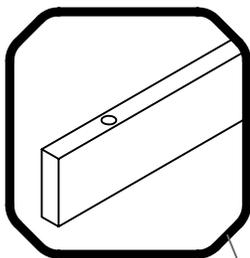
- (2) J- 2x4x93" Tarp Cross Brace
- (2) K- 5/4x4x5 1" Tarp End Cap

Step 2: Building Tarp Bottom Frame:

Attach (1) Tarp End Cap 'K' to the ends of each Tarp Cross Brace 'J' with 2 1/4" deck screws as shown. Make sure holes on the edges of 'J' are facing up.

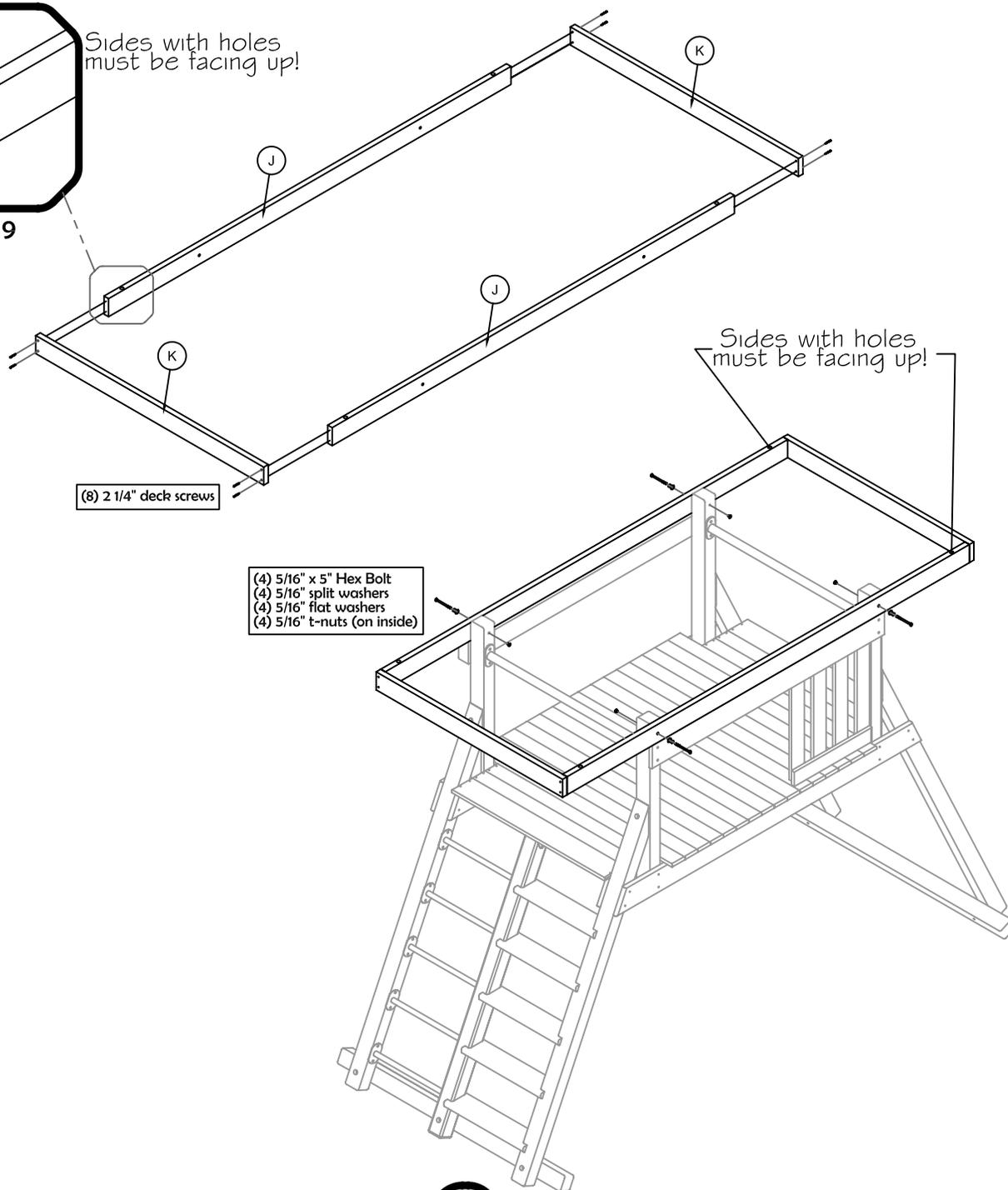
Step 3: Attachment of Bottom Frame:

Attach Bottom Frame Assembly to the Fort Uprights 'F' with 5" hex bolts, 5/16" split & flat washers on outside and 5/16" t-nuts on inside of fort as shown. Holes in Tarp Cross Braces 'J' must be centered on Fort Uprights 'F'.



Sides with holes must be facing up!

Fig. 9



PHASE 9

TARP ROOF INSTALLATION

Step 1: Gather Items:

- (2) O- 5/4x4x72" Tarp Upright
- (1) AB- 5/4x4x49 Tarp Support
- (1) #4M032 Green L-bracket

Step 2: Building Tarp Top Frame:

Attach Tarp Support 'AB' to the ends of Tarp Uprights 'AA' & 'AB' with 2 1/4" deck screws as shown.

Step 3: Attaching Tarp Top Frame:

Attach Tarp Top Frame to fort with 1 1/2" deck screws thru Tarp Upright 'O' and into wall rails shown. (see Fig. 10)

Step 4: Attaching Tarp:

Place Tarp over Tarp Support 'AB' Loop under Tarp End Caps 'K' and secure with 3/4" tapping screws and 1/4" flat washers as shown. (see Fig. 12 & Fig. 13)

Step 5: Attaching L-bracket to Slide wall:

Attach (1) L-bracket to Tarp Upright 'O' on Slide wall and to floor as shown in Fig. 11. Only the Tarp Upright 'O' on the Slide wall will take an L-bracket.

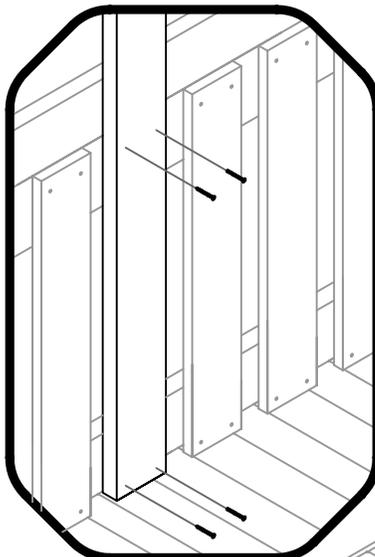
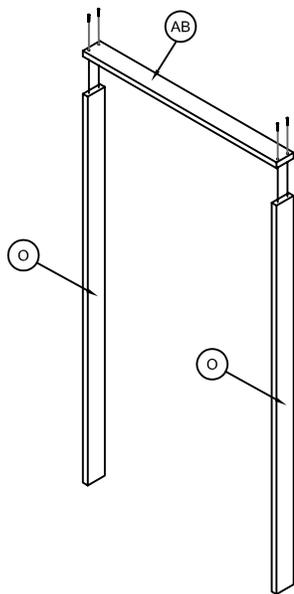


Fig. 10

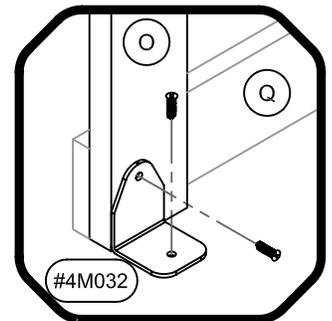


Fig. 11

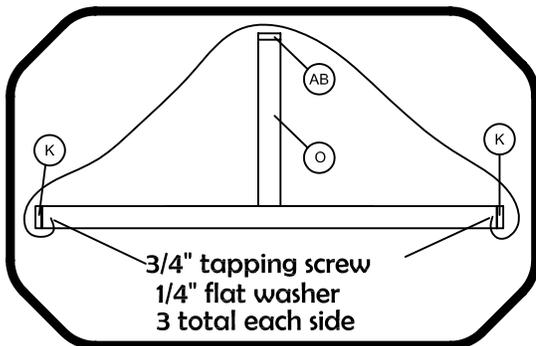


Fig. 12

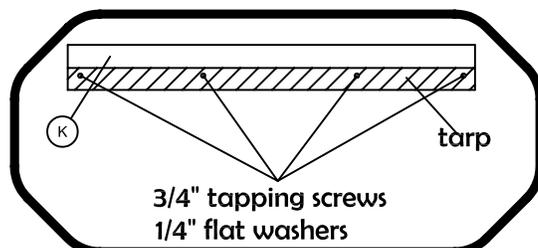
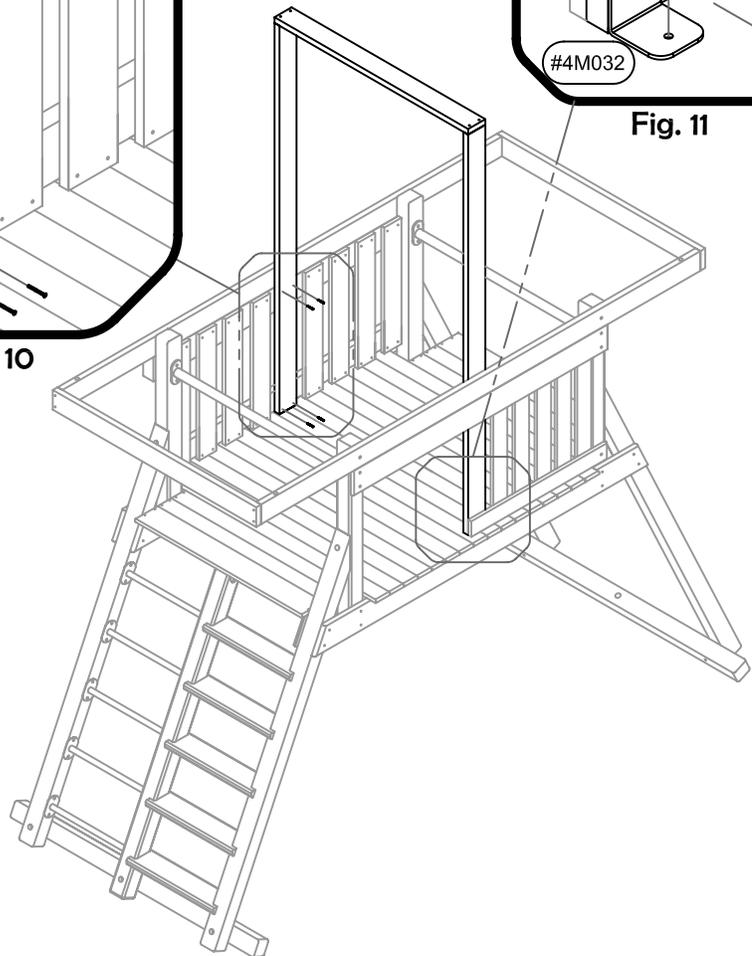


Fig. 13



PHASE 10

ROCKWALL ASSEMBLY

Step 1: Installing H:

- (1) H- 1x6x042 End Floor Board
- (4) W- Rock Wall Panel Assembly 1x4x54
- (1) X- 5/4x4x056 Rock Wall Brace
- (2) #6PCRG Climbing Rocks 6 Count w/hdw

Step 2: Installing T-nuts:

Empty contents of bag GPCRG. Remove Hex bolts (these will not be used) Take t-nuts and lightly hammer them into holes on backside of Rockwall panel assemblies.

Step 3: Installing H:

Take and place item H and rest it against items B. Next, slide it upward until it butts up against the previous H. Center item H and fasten using 2 1/4" deck screws.

Step 4: Installation of Rock Wall Panels:

Take the 1st panel W and place it against items B, then slide it upward until it bumps with item H. Fasten it using (4) 2 1/4" deck screws as shown. Take the 2nd panel W and place it against items B, (Make sure the panel orientation is rotated 180°) then slide it up until it hits W1 and fasten it with (4) 2 1/4" deck screws. Continue the same process for W3 and W4.

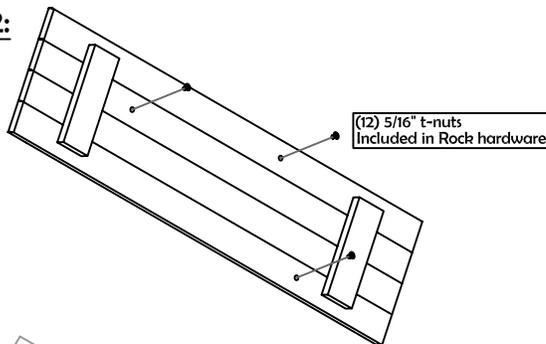
Step 5: Installation of Rock Wall Brace:

Take item X and center it both ways on the rear side of Rock Wall. Fasten X using 1 1/2" deck screws. (Fig. 14)

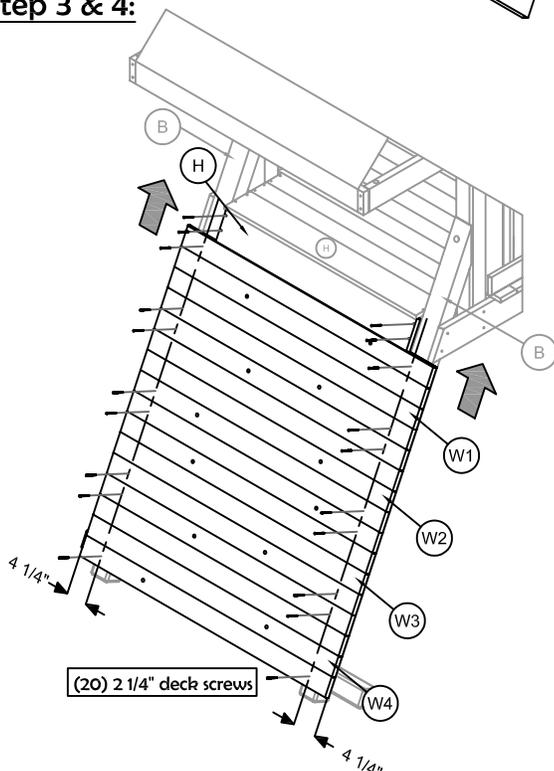
Step 6: Installing Rocks:

Place Rocks on panels, with the grips facing up, and fasten using a 5/16" x 1 1/4" hex bolt and a #14 x 1" tapping screw. ****NOTE**** (12) 5/16" x 1 1/4" hex bolts are included in Fort Hardware Bag. Disregard hex bolts included in Rock hardware bag.

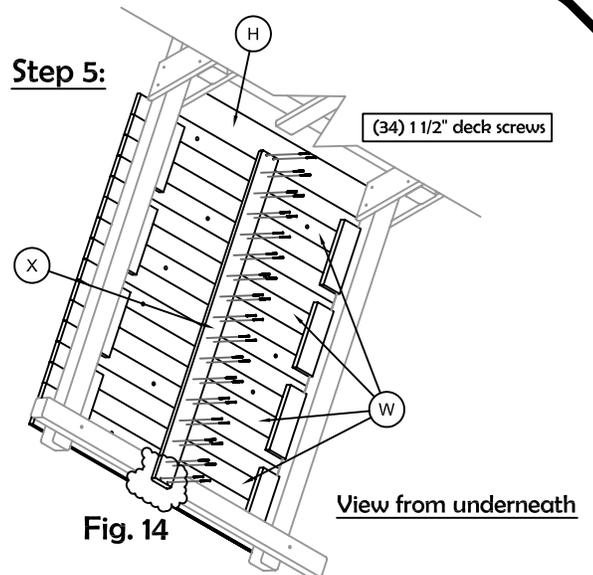
Step 2:



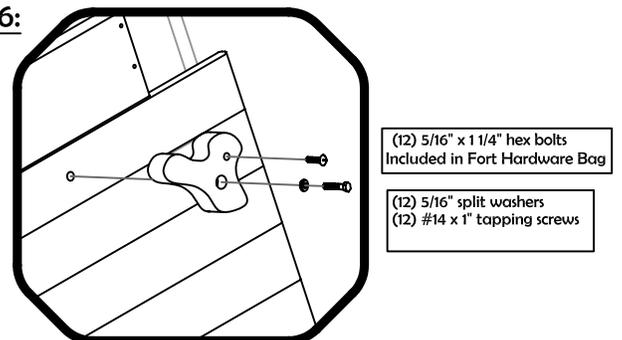
Step 3 & 4:



Step 5:



Step 6:



Please note the orientation of panel W's. Each panel rotates 180° as they are placed. This is to allow more variation of rock placements on Rock Wall.

PHASE 11

MONKEY BAR ASSEMBLY

Step 1: Gather Items:

- (1) Y-Explorer Series MB Top Ladder
- (1) Z-Explorer Series MB End Ladder
- (4) #4M089 End Beam Plate (Green)
- (4) #4M1027-05 Angled Brace (Green)
- (6) #GHASH Ductile Swing Hanger

Step 2 Assembling Monkey Bar:

Take item #4M089 and place on the inside of Y and Z, slide 5/16" x 4" hex bolts through. Take another #4M089 and slide over bolts on the outside of Y and Z, then fasten. Repeat procedures for opposite side.

Step 3 Installing Angled Braces:

Take item #4M1027-05 and place on the inside of Y, slide 5/16" x 4" hex bolts through. Take another #4M1027-05 and slide over bolts on the outside of Y, then fasten. Repeat procedures for opposite side.

Step 4 Installing Top Ladder Rail Metal Strips:

Center Metal Strips on the outsides of Y and fasten using #14 x 2" tapping screws.

Step 5 Installing Ductile Swing Hangers:

Place (6) Ductile Swing Hangers and fasten as shown in Fig. 15.

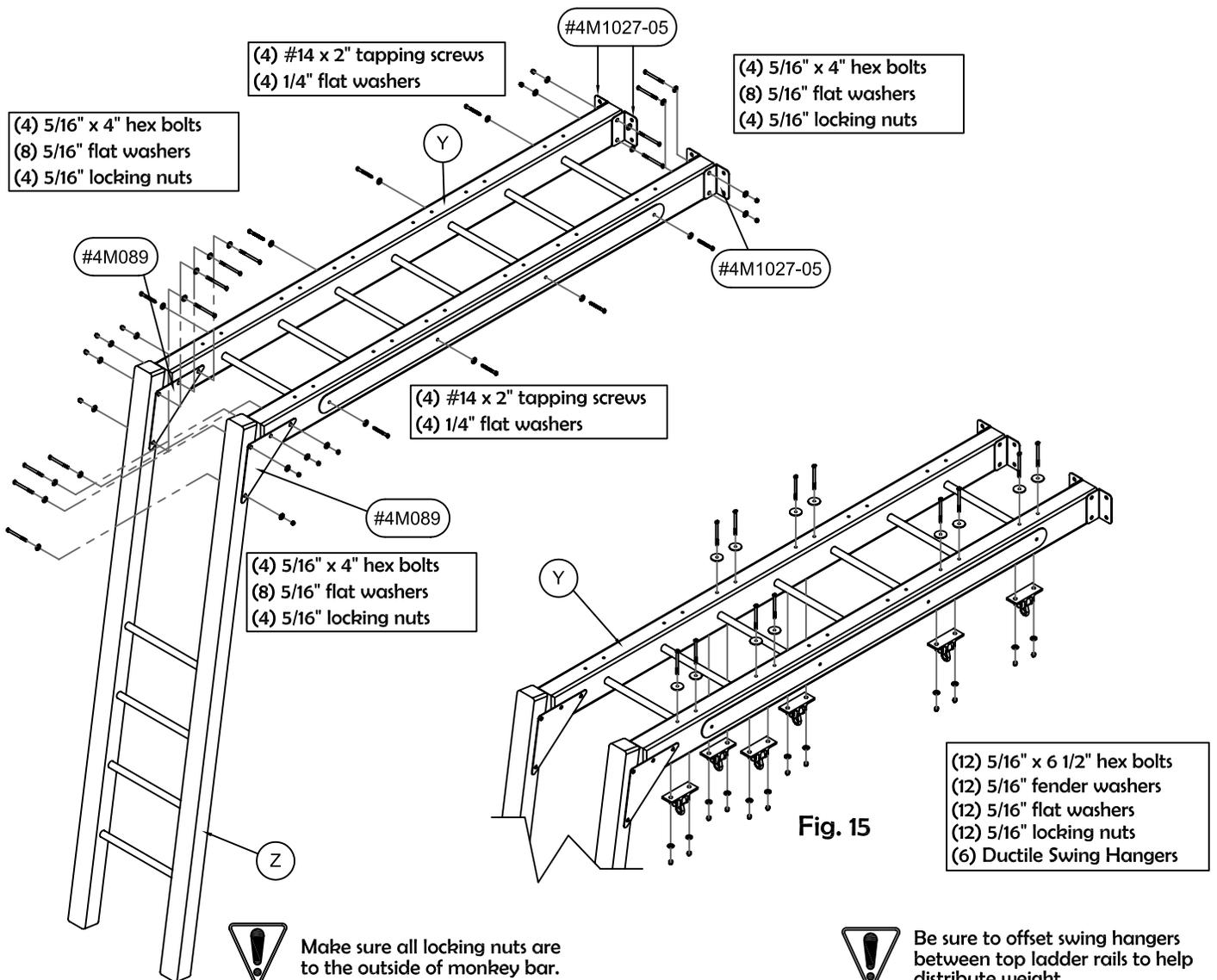


Fig. 15

PHASE 12

MONKEY BAR INSTALLATION

Step 1: Installing Monkey Bar:

Insert (4) t-nuts in item M through inside of fort. Stand Monkey Bar Assembly and rest against item M. Now, center the top holes of #4M090's to the pre-drilled holes on item M. Insert (4) 5/16" x 3 1/2" hex bolt through #4M090's and M and fasten. Use #14 x 2 1/2" tapping screws to fasten in the remaining holes. (see Fig. 16 for close-up of attachment)

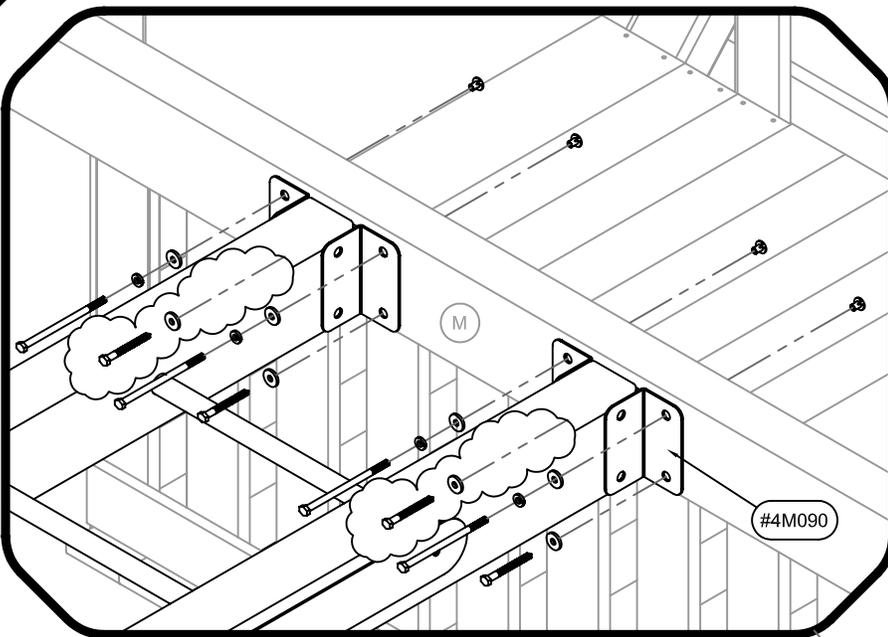
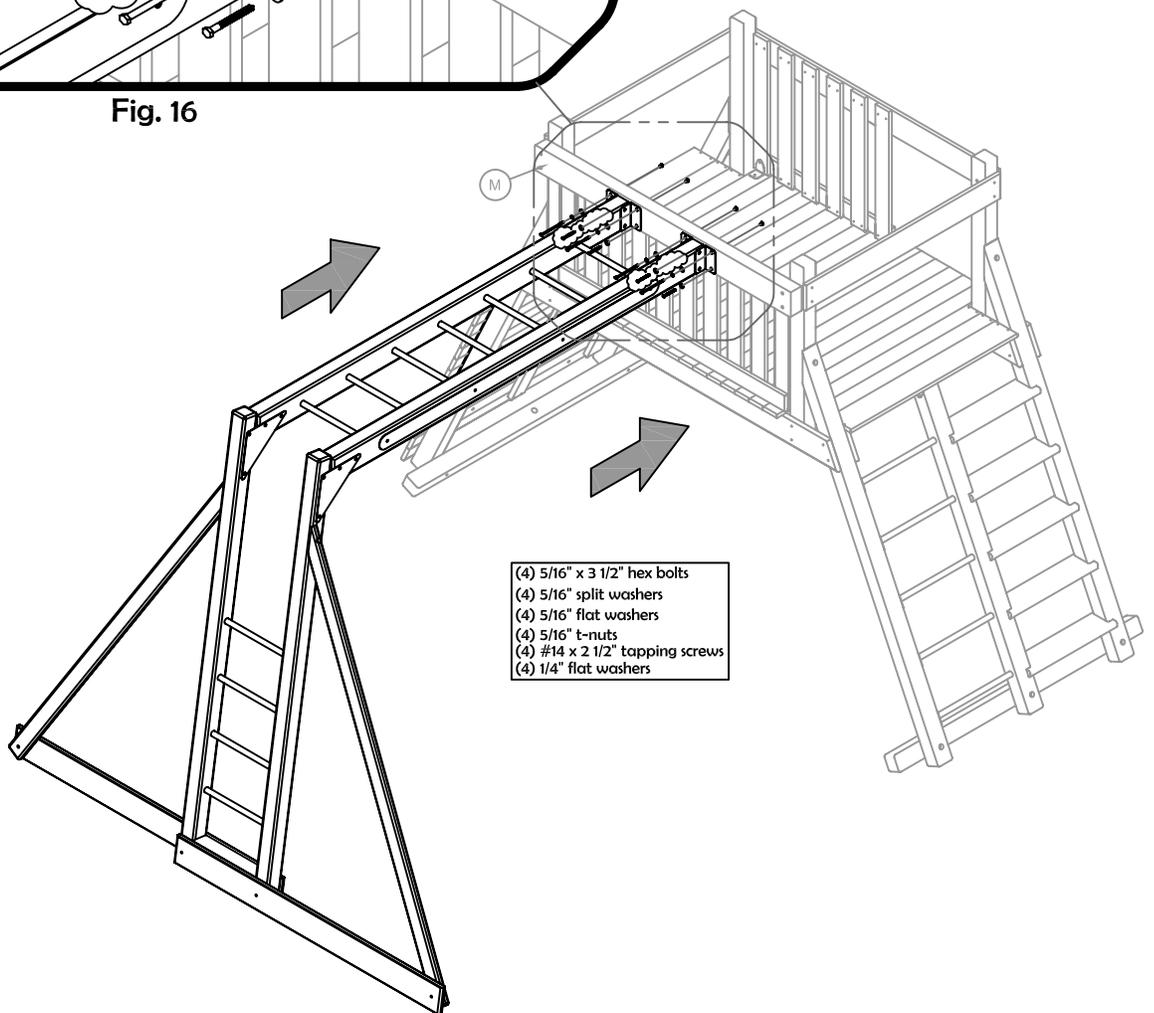


Fig. 16



- (4) 5/16" x 3 1/2" hex bolts
- (4) 5/16" split washers
- (4) 5/16" flat washers
- (4) 5/16" t-nuts
- (4) #14 x 2 1/2" tapping screws
- (4) 1/4" flat washers

PHASE 13

GROUND BEAM INSTALLATION

Step 1: Gather Items:

- (2) T-5/4x6x066 1/2 MB Ground Beam
- (2) U-2x4x089 End Ladder Angle Brace
- (2) P-2x4x15 3/8" Monkey Bar Base Board

Step 2: Installing Ground Beams:

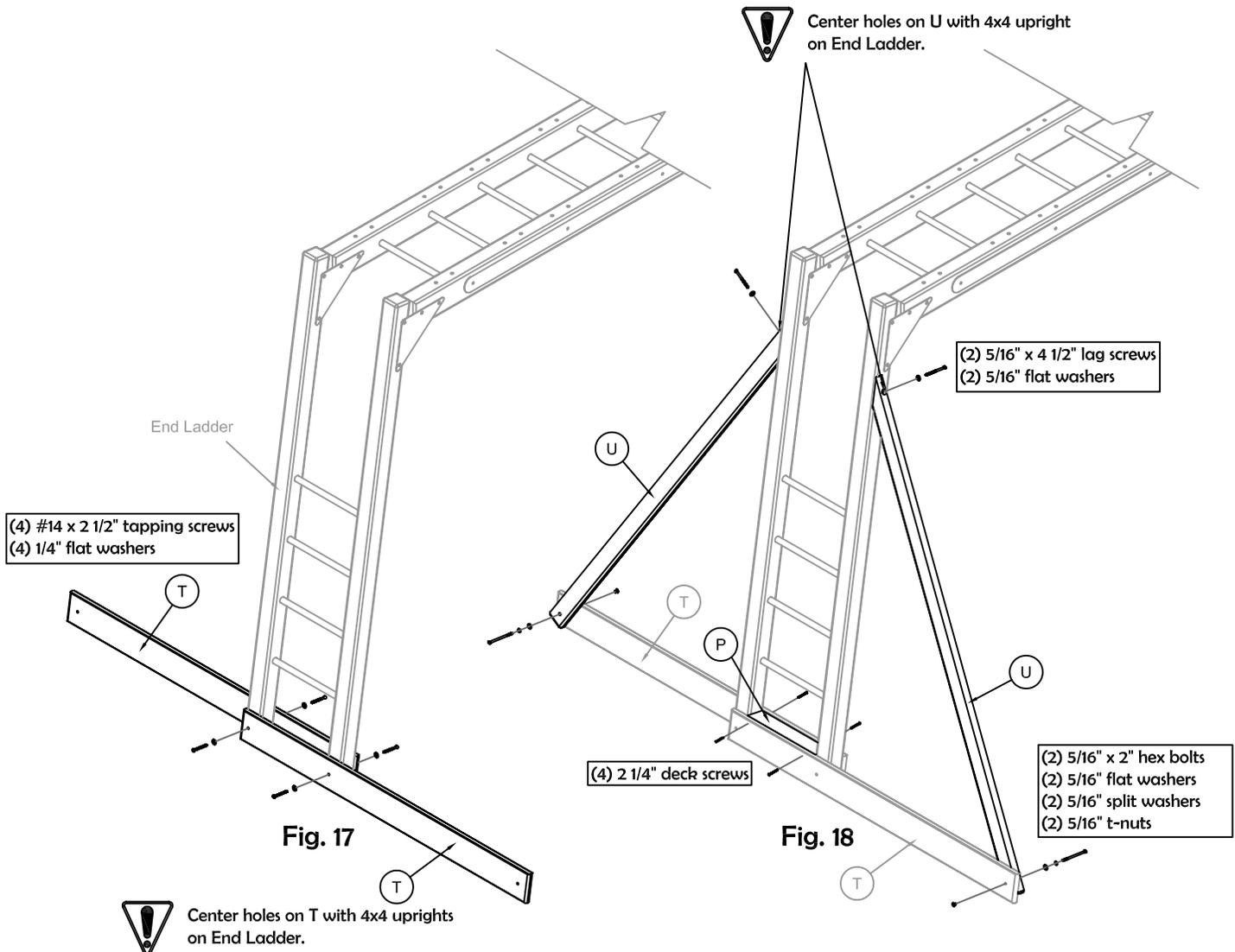
Place items T, one on each side as shown in Fig. 17, against Monkey Bar End Ladder with bottoms of T flush with bottom of End Ladder and fasten using #14 x 2 1/2" tapping screw.

Step 3: Installing End Ladder Angle Braces:

Hammer t-nuts, one on each side in items T. Fasten items U to items T, as shown in Fig. 18 using 5/16" x 2" hex bolts. Center the top of U with 4x4 upright of End Ladder and fasten using 5/16" x 4 1/2" lag screws.

Step 4: Installing Monkey Bar Base Board:

Place Monkey Bar Base Board 'P' between end ladder rails, flush with top of ground beams and attach with (4) 2 1/4" deck screws as shown.



PHASE 14

HANDLE & STEERING WHEEL INSTALLATIONS

Step 1: Gather Items:

- (4) #4M1028-05 Hand Rail (Green)
- (3) #4M1023-05 Wall Handrail (Green)
- (1) #6P5TWY Steering Wheel (yellow)

Step 2: Installing D-Rings:

Place items #4M1028-05 centered on items B and C, 6" down from end of uprights F (Fig. 19) and fasten with #14 x 2 1/2" tapping screws.

Step 3: Installing Wall Handrails:

Place items #4M1023-05 centered on items B, C & D on the Combo Wall side. Position so that the bottom hole on #4M1023-05 is 20 3/4" from the bottom of B or C as shown below. Fasten with #14 x 2 1/2" tapping screws.

Step 4: Installing Steering Wheel:

Depending on supply of Steering wheels, your method of attachment may vary. See Fig. 20a & Fig. 20b below for the two different methods of attachment.

Method 1:

Center Steering wheel on intersection of board 'O' & board 'J'. Insert bushing into center, and attach with 5/16" x 2" lag screw and 1/4" flat washer. Place cap over screw and snap into bushing.

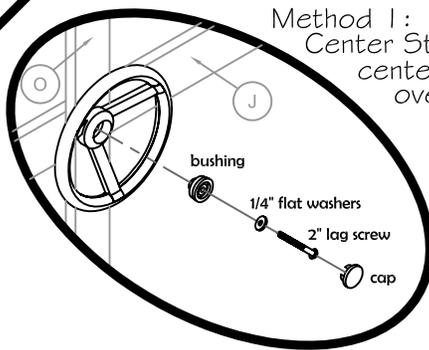


Fig. 20a

Method 2:

Center Steering wheel on intersection of board 'O' & board 'J'. Place fender washer on backside, insert black spacer into center, and attach with 5/16" x 2" lag screw w/fender washer. Place cap firmly into end.

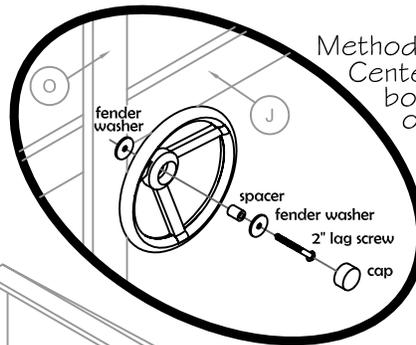


Fig. 20b

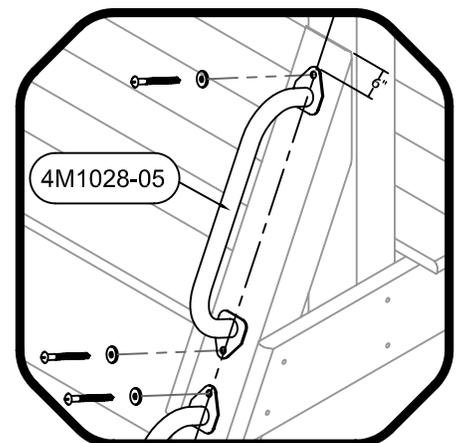
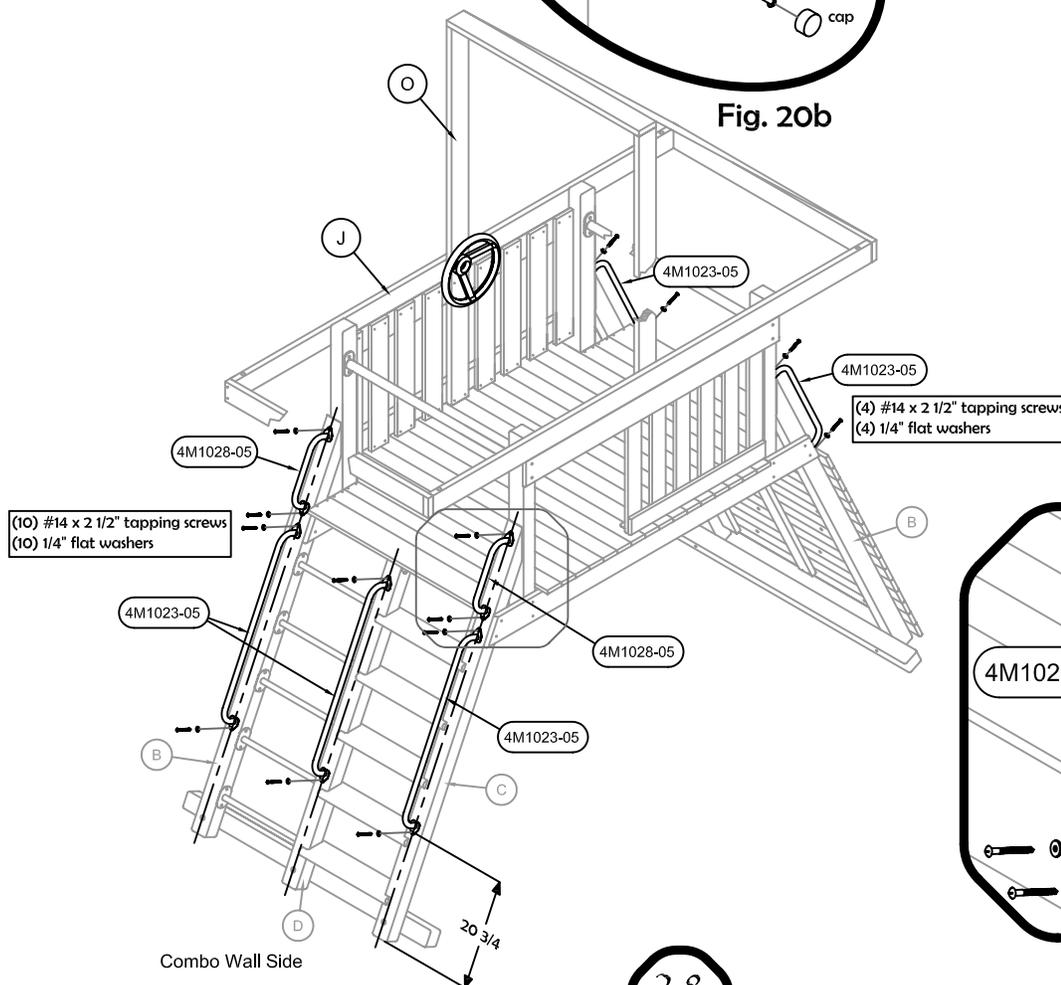


Fig. 19

PHASE 15

SLIDE & FLAG INSTALLATION

Step 1: Gather Item:

- (1) Zoom Slide
- (1) Slide Spacer Board 'AC'

Step 2: Preparing Slide:

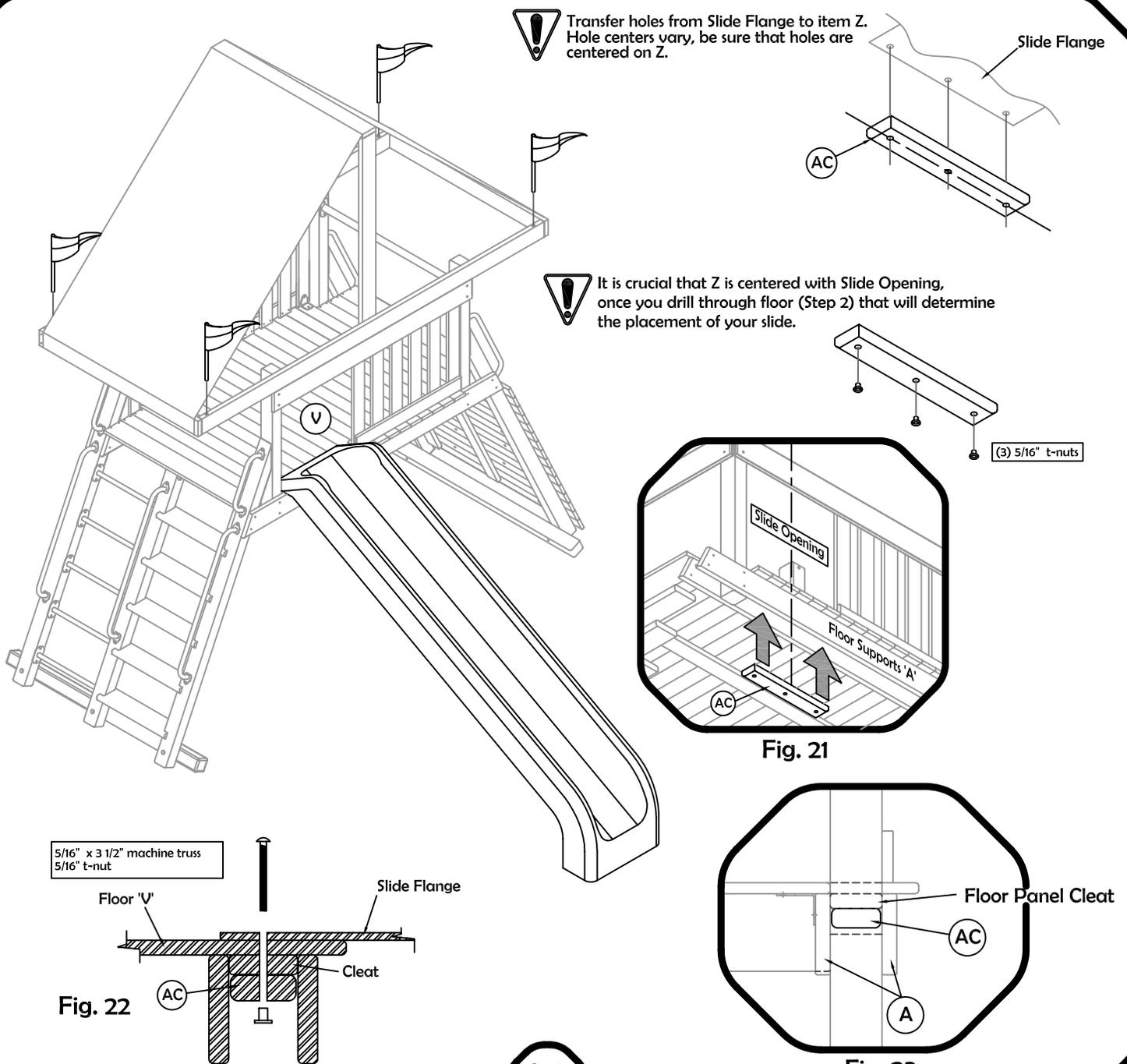
Take an electric or cordless drill with a 5/16" bit and clean out all (3) holes to allow better penetration of bolts.

Step 3: Installing Slide Spacer Board & Slide:

Center holes on Slide Flange to item V and mark them. Next, drill holes in AC with a $\varnothing 3/8"$ drill bit. Position AC between both Floor Supports and place against Floor Panel Cleats and centered with the Slide Opening. While holding AC in place, take 3/8" drill and drill through existing holes in AC and through floor. These holes will determine the placement of your Slide. Lightly hammer 5/16" t-nuts into AC. Then, attach slide to floor and spacer board w/ 3 1/2" machine truss screws as shown below. (see Fig. 21, 22 & 23)

Step 4: Installing Flags:

Place Flags into holes on tarp cross braces as shown.



PHASE 16

SWING ATTACHMENT

Step 1: Hanging Swings:

- (6) #6HSL Snap Links
- (8) #6HQL Quick Links
- (2) #3SSG55 Swing Assemblies
- (2) #4M022 30" Chains
- (1) #6P053 Trapeze Bar

Step 2: Hanging Swings:

Insert the last link of swing chain in Quick link for both sides. Next, latch quick links into Snap link and then hook Snap link onto ductile swing hangers as shown. (see Fig.24)

Step 3: Hanging Trapeze:

Insert the last link of 30" chain in quick link on both sides. Next, latch quick links on trapeze bar as shown. Latch remaining snap links on opposite side of trapeze bar then latch snap links to ductile swing hangers. (see Fig.24 & 25)

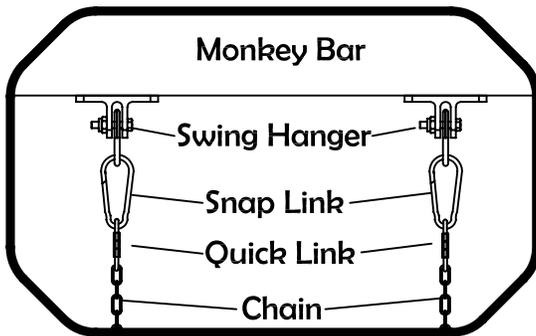


Fig. 24

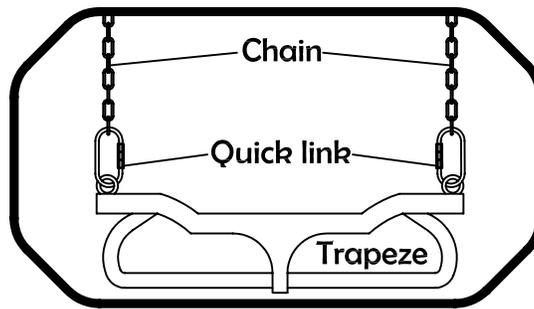
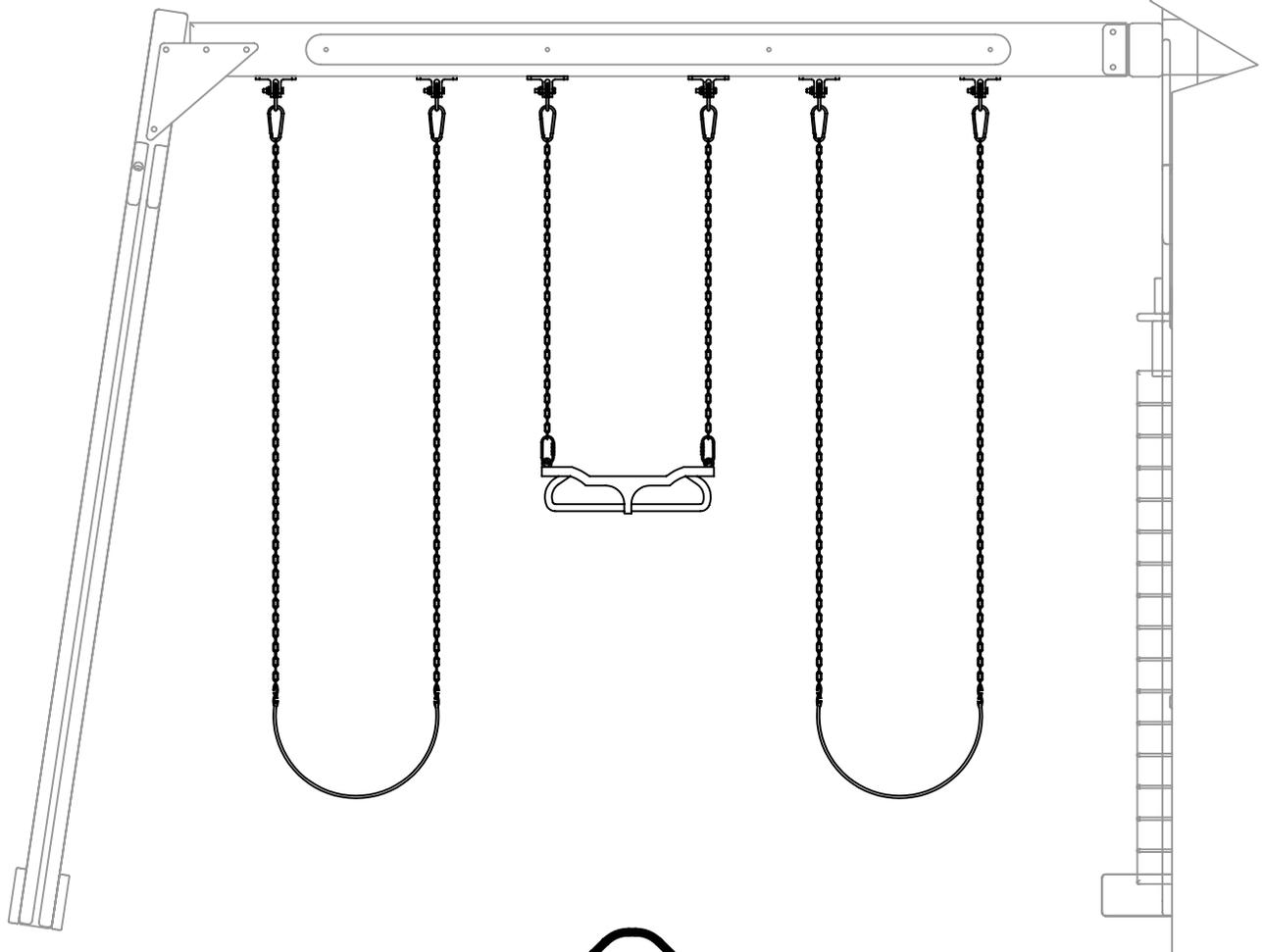


Fig. 25



PHASE 17

ANCHORING INSTRUCTIONS

Step 1: Gather Items:

(6) #4M040 Metal Anchor Stakes

Step 2: Anchoring Playset:

Drive Stakes into ground where shown below and attach with 1" tapping screw and flat washer as shown in Fig.26.



Failure to use stakes can void warranty and cause injury.

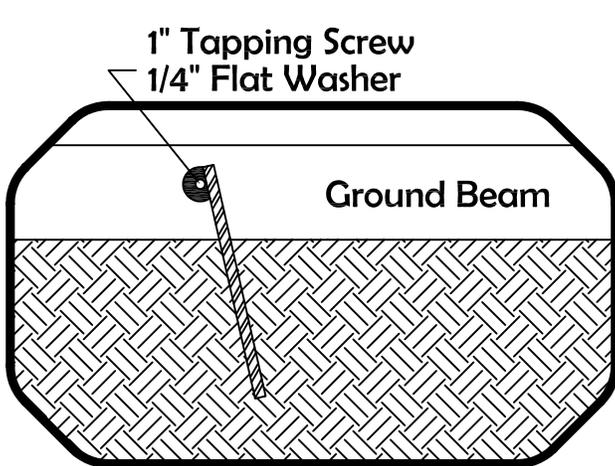
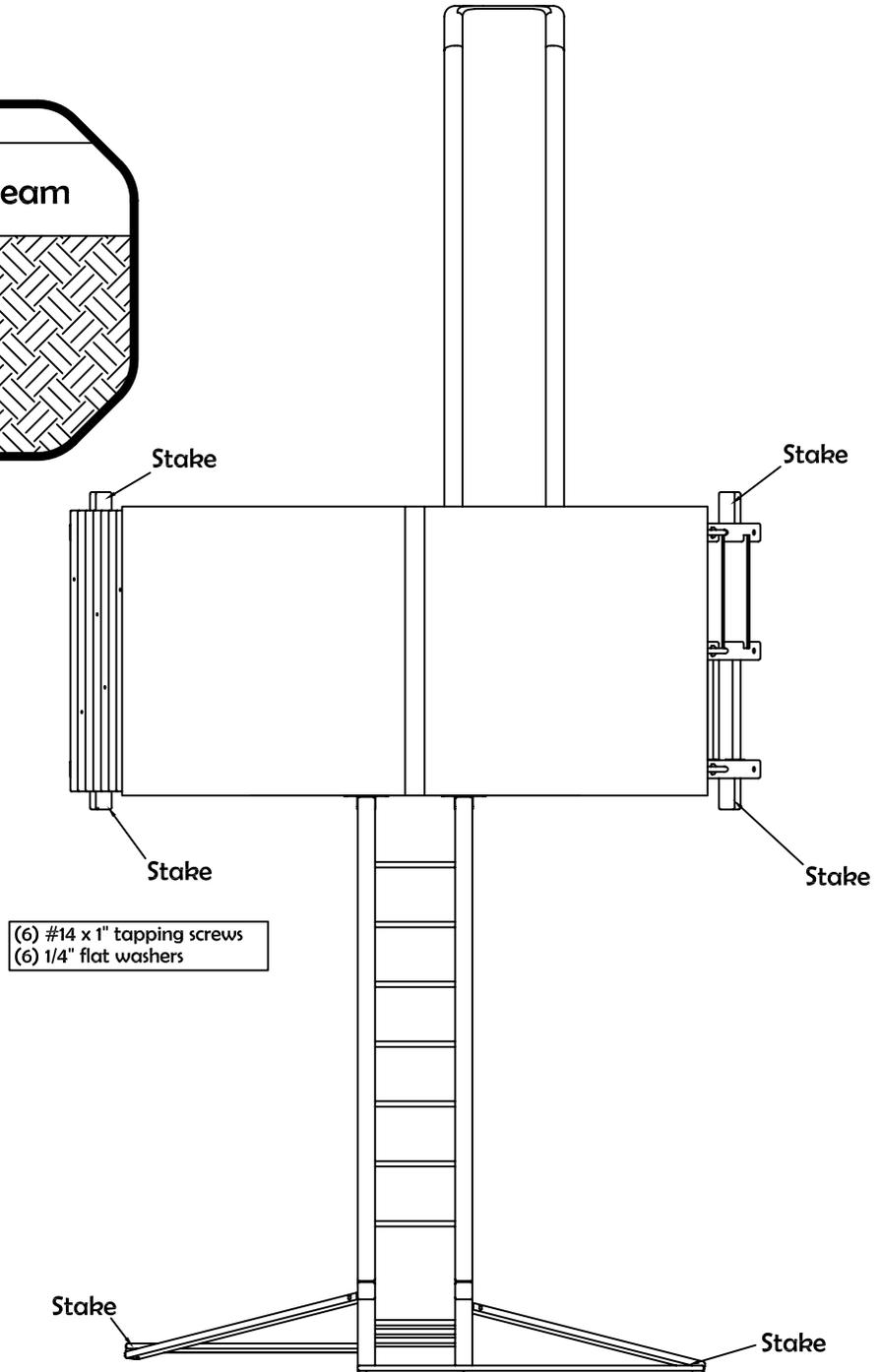


Fig. 26



(6) #14 x 1" tapping screws
(6) 1/4" flat washers

PHASE 18

TIRE SWING INSTALLATION

Step 1: Gather Items:

- (1) AD-4x4x021 Tire Swing Mounting Block
- (1) a-#GHTRS Tire Swivel
- (1) b-#GHSK Snap Link
- (3) c-#4MO22 Green 30" chain
- (1) d-#GPTRE Tire
- (3) e-#6HO72 Tire Quick Link
- (3) f-#6HO52 Tire Eye Bolts

Step 2: Transferring hole pattern:

Place item AD against bottom of fort floor 7 5/8" away from the inside floor support and centered. Using the hole pattern in item AD, drill through the floor with Ø3/8" drill bit. (Fig. 27)

Step 3: Mounting items A and B:

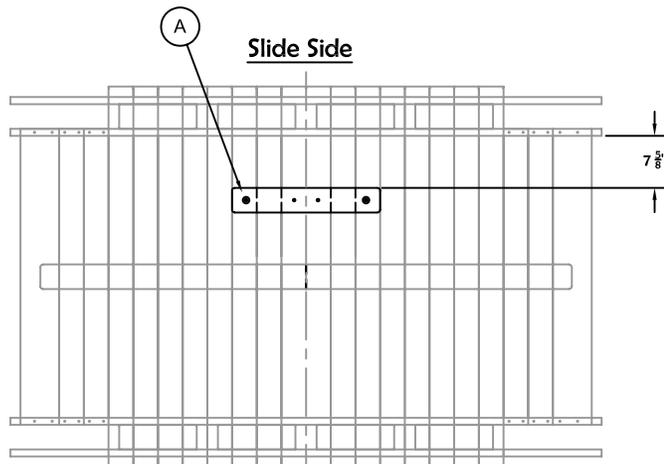
Take (2) 5/16" x 4" carriage bolts and place them in the two outside holes through the inside of the fort and fasten item AD. Next, take (2) 5/16" x 5" carriage bolts and place them in the two inside holes through the inside of the fort and fasten item 'a'.

Step 4: Assembly and Installation of Tire Swing:

Assemble Tire Swing as shown in Fig.29 and install it as shown in Fig.28.

Final Step:

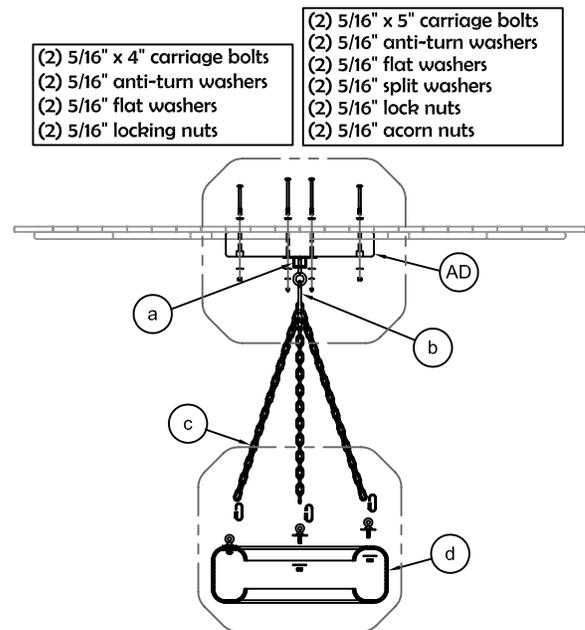
Double check and make sure every bolt, screw and nut is tight, every board is secure and enjoy!



Monkey Bar Side

Bottom View

Fig. 27



- (2) 5/16" x 4" carriage bolts
- (2) 5/16" anti-turn washers
- (2) 5/16" flat washers
- (2) 5/16" locking nuts

- (2) 5/16" x 5" carriage bolts
- (2) 5/16" anti-turn washers
- (2) 5/16" flat washers
- (2) 5/16" split washers
- (2) 5/16" lock nuts
- (2) 5/16" acorn nuts

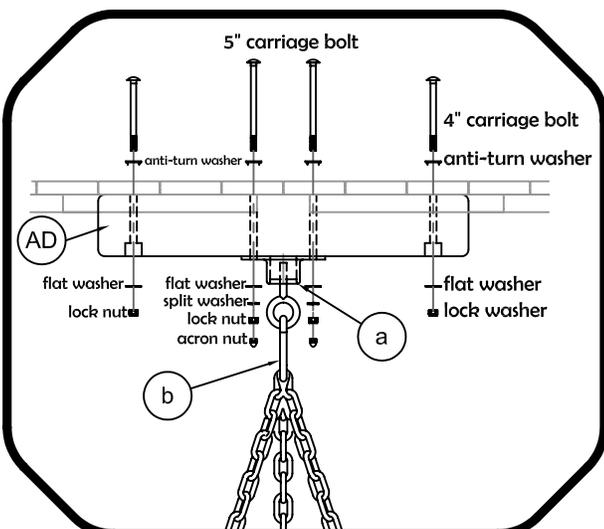


Fig. 28

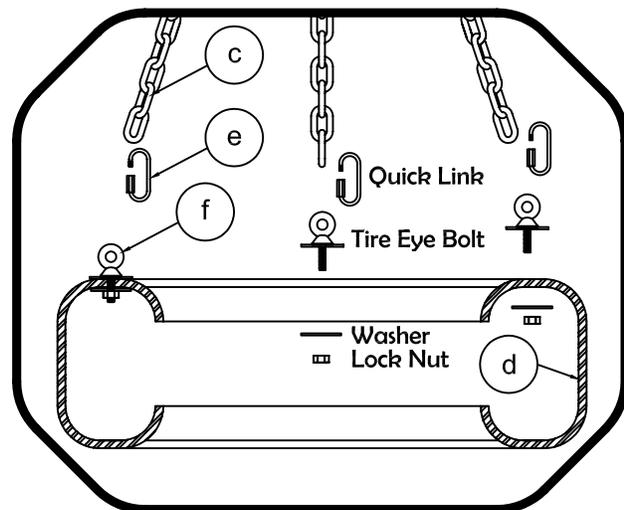


Fig. 29

Frequently Asked Questions

Q: What size of play area do you recommend around the playset so my child may play safe??

A: We recommend at least a six-foot play perimeter around the playset.

Q: My swing set seems to sway or rock too much. What is wrong?

A: Rocking is caused by uneven ground or obstructions such as rocks, roots, etc. under the ground rails. These obstructions should be removed and the ground underneath leveled to prevent rocking. If the fort itself is moving, it is usually caused because the fort is not staked down. Staking is required and will stop most of the movement.

Q: The end ladder is not straight up and down. What is wrong?

A: Nothing is wrong. The end ladder does not form a 90° angle. It has an angle to it.

Q: My wood appears to be cracking. Is that a problem?

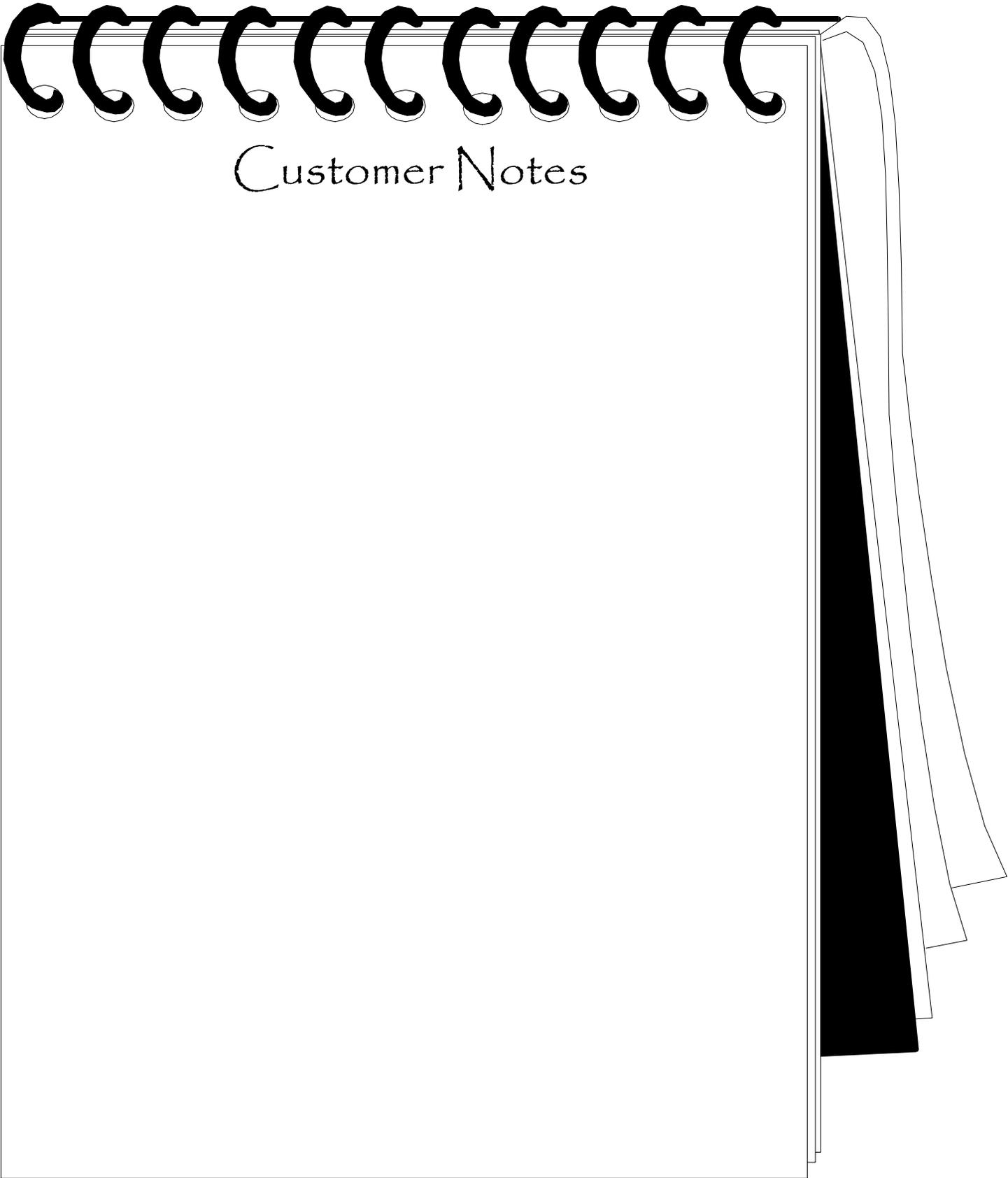
A: No, expansion and contraction of wood due to weather changes will cause slight cracking (technically called checking) and distortion. These are natural characteristics of wood and do not affect the structural integrity of the playset.

Q: My 2x4 boards do not measure 2"x4". Why not?

A: It has been common practice in the U.S. to use the rough-cut dimension from a sawmill to describe the width and height of a particular piece of lumber. Many retailers, designers, contractors and manufactures utilize this description with a common and accepted knowledge that the actual size will vary from this description. Our sets are designed using the actual dimension. This ensures the sets will be assembled properly and be safe for the recommended use.

Q: How often should I re-stain my playset and what should I use?

A: The playset should be checked at least once a year depending on the weather. Lightly sand any rough areas and re-stain the set with a waterborne transparent stain.



Customer Notes

Limited Warranty

Adventure Playsets Inc. insures to the original owner of our product, that the components of our set are free from defect in materials and will be warranted for one year from the date of purchase. In addition, all wooden components will be warranted against rot or insect damage for 12 Years to the original owner. All non-wood components will carry a one-year warranty only.

All defective parts that are discovered and reported in the first thirty days after purchase will be replaced at no charge to the registered customer. After thirty days of purchase shipping and handling charges for replacement warranty parts will be passed on to the consumer.

All returned goods will be accessed by our customer service department. We will not accept any goods without an authorization code. Our customer service department will give out all codes. Failure to supply authorization code with shipment will void all said warranty. Our customer service department can be reached at 1-800-856-4445.

This Limited Warranty does not cover the following:

- ❑ The cost of labor required to re-install or disassemble the defective component.
- ❑ The cost of air freight
- ❑ The cost of freight after the initial 30 days from purchase.
- ❑ Cosmetic defects that do not affect the structural integrity of the play center.
- ❑ Any abnormal conditions such as vandalism, improper installation, misuse or abuse, or improper maintenance.
- ❑ Damage done by nature such as wind, lightning, severe weather, etc...
- ❑ Natural defects of wood such as warping checking or any other physical properties of wood that do not present a hazard.

Adventure Playsets products have been carefully designed to insure your child's safety. Any modifications to your playsystem could result in serious injury as well as void all warranties.

Our playsets are designed for Residential use only, for children between the ages of 3 and 10, for a single-family dwelling. Commercial use such as nurseries, parks or schools, voids all warranties and liabilities.

Warranty claim procedure

If you are confident that your playsystem has been installed and maintained properly, and you have a warranty claim, proceed with the following steps:

1. We will need copy of your proof of purchase (Vendor sales receipt only.)
2. We require a brief written description of the warranty issue.
3. Photos of warranted parts and of the entire play system.

If **any** of the above steps are not completed, there may be delays in the completion of your claim, or possibly warranty cancellation.

Mail information to:

Adventure Playsets
14201 I-27
Amarillo, Texas
79119

or email at

custservice@adventureplaysets.com

Our customer service department will review the claim and make contact with the customer by mail or by phone. The customer will only pay for shipping and handling to and from factory if warranty is approved.

1-800-856-4445

Service department hours Monday thru Friday 9am to 5pm

Saturday 9am to 2pm

Central standard time

Customer Registration Card

Customer Information:

Name: _____

Address: _____

City: _____ State: _____ Zip: _____

Home Phone _____

Date of Purchase _____

Vendor Information:

Name _____

City: _____ State: _____ Zip: _____

Unit Model: _____ Unit Name: _____

Please check the boxes below:

How old are you?

18-30 31-43 44-56 Older than 56

How would you rate the quality of our product?

Above Average Average Fair Poor

How would you rate the ease of assembly of our product?

Above Average Average Fair Poor

How would you rate our instructions?

Above Average Average Fair Poor

Would you recommend our product to friends & family?

Yes No

How old are your children?

3-4 5-6 7-8 9-10

Where did you hear about us?

Friend Store Display Advertisement Internet

Comments: _____

Customer Registration Card

**Do not forget to send in your registration card to the factory.
This card will validate your time of purchase for warranty items.**

Fold here

**Place
stamp
here**

**Adventure Playsets
14201 I-27
Amarillo Texas, 79119**